

# EVAPORATOR COILS

## PRODUCT SPECIFICATIONS

FORM NO. EAC/AU/AH1P/A4X-100 (01/2018)

### EVAPORATOR COILS FEATURES

- Microban® antimicrobial additive in the drain pan to resist mold and mildew growth.
- Aluminum tubing, hairpins, distributors and header tubes. Copper refrigerant connections for easy brazing to both liquid and suction lines.
- Preformed flanges in outlet for quick and easy plenum connections
- One of the lowest water retention drain pans in the industry to minimize mold and mildew growth.
- Interlocking door assemblies and snug line seal grommets to minimize air leakage
- Foil-face insulation for easy cleaning
- Tubing located at door split for easy coil service or cleaning
- All drain pans are compatible with UV lights
- All piston coils are compatible with R22 or R410a
- 10-year limited parts warranty available when applied with a system. *See limited warranty document for details.*

### Upflow Coils

#### EAC4X (Cased)

- Factory installed TXV for quick installation in high efficiency applications
- Tightly sealed, painted steel cabinet with wall to wall insulation to ensure <2% air leakage.
- Single protruding right side dual drain port for easy installation and service access.

#### EAC1P (Cased)

- External cabinet mounted distributor body designed for easy changing of orifice sizes and fast TXV connections
- Single protruding right side dual drain port for easy installation and service access.

#### EAU1P (Uncased)

- Orifice assembly designed for easy changing of orifice sizes and fast TXV connections
- Single protruding right side dual drain port for easy installation and service access.

### Horizontal Coils

#### EAH1P (Cased)

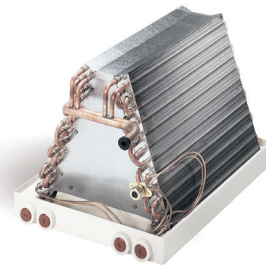
- Dedicated horizontal
- Insulated galvanized steel case with durable embossed finish
- Removable panels provide access to coil.
- Refrigerant lines extend outside of the cabinet for easy connection.

### WARRANTY

10 year limited parts warranty available when applied with a system. See limited warranty document for details.



**EAC4X**  
**EAC1P**



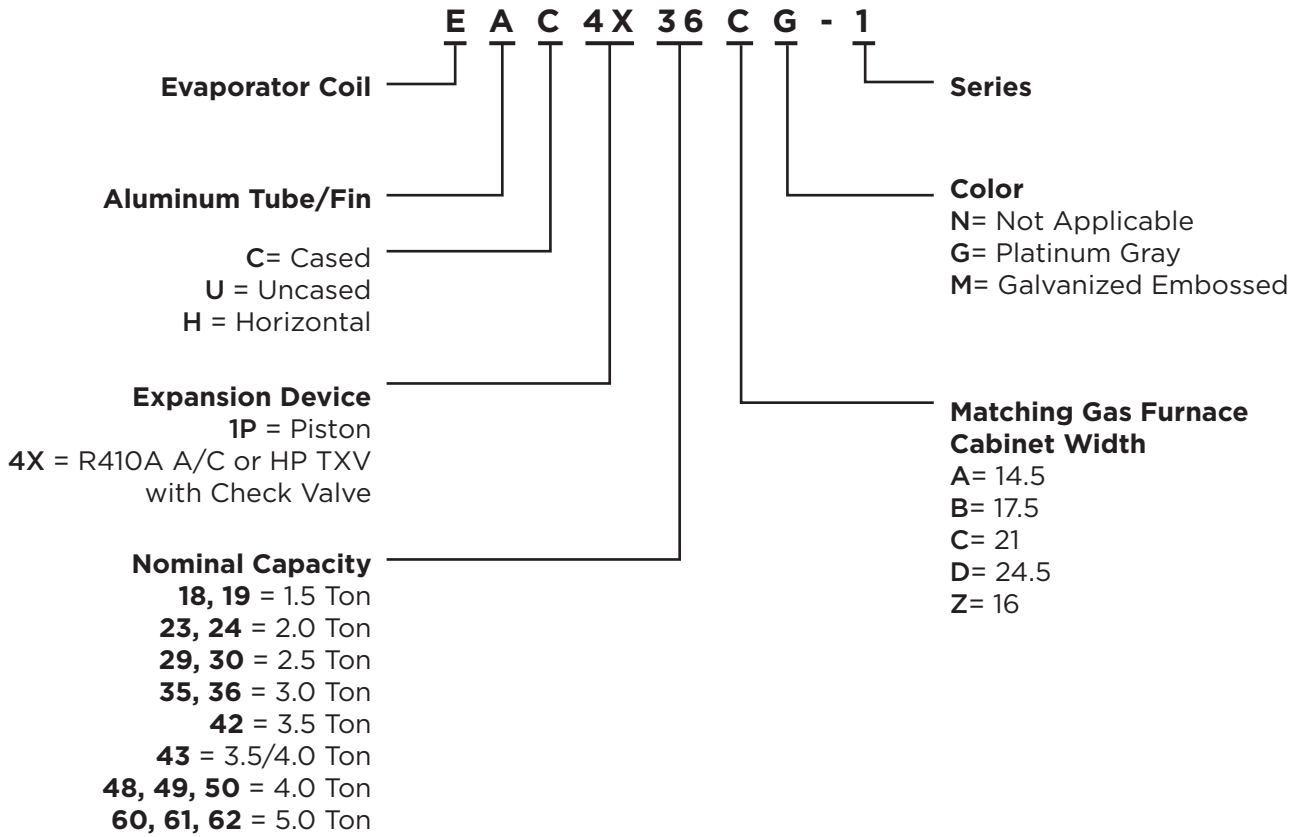
**EAU1P**



**EAH1P**



**MODEL NUMBER GUIDE**



## EAC1P

| SPECIFICATIONS                     |                              |             |              |            | 1.5 TO 2 TON |
|------------------------------------|------------------------------|-------------|--------------|------------|--------------|
| General Data                       | Uncased Model No.            | EAU1P-18/24 | EAU1P-18/24B | EAUC1P-24A | EAU1P-24B    |
|                                    | Cased Model No.              | EAC1P-18/24 | EAC1P-18/24B | EAC1P-24A  | EAC1P-24B    |
| Line Connections in.               | Suction / vapor o.d. - sweat | 3/4         | 3/4          | 3/4        | 3/4          |
|                                    | Liquid o.d. - sweat          | 3/8         | 3/8          | 3/8        | 3/8          |
|                                    | Condensate drain (fpt)       | (2) 3/4     | (2) 3/4      | (2) 3/4    | (2) 3/4      |
| RFCIV metering device orifice size |                              | 0.053       | 0.053        | 0.057      | 0.057        |
| Shipping Data - lbs.               | Uncased                      | 18          | 20           | 23         | 24           |
|                                    | Cased                        | 30          | 34           | 38         | 43           |

<sup>1</sup> Uncased coils match furnaces without any overhang but require optional adaptor base or field fabricated transition to match furnace width.

| SPECIFICATIONS                     |                              |           |           |              | 2.5 TO 3 TON |
|------------------------------------|------------------------------|-----------|-----------|--------------|--------------|
| General Data                       | Uncased Model No.            | EAU1P-30A | EAU1P-30B | EAU1P-30/36A | EAU1P-30/36B |
|                                    | Cased Model No.              | EAC1P-30A | EAC1P-30B | EAC1P-30/36A | EAC1P-30/36B |
| Line Connections in.               | Suction / vapor o.d. - sweat | 3/4       | 3/4       | 3/4          | 3/4          |
|                                    | Liquid o.d. - sweat          | 3/8       | 3/8       | 3/8          | 3/8          |
|                                    | Condensate drain (fpt)       | (2) 3/4   | (2) 3/4   | (2) 3/4      | (2) 3/4      |
| RFCIV metering device orifice size |                              | 0.067     | 0.067     | 0.057        | 0.057        |
| Shipping Data - lbs.               | Uncased                      | 31        | 32        | 26           | 27           |
|                                    | Cased                        | 45        | 50        | 41           | 45           |

<sup>1</sup> Uncased coils match furnaces without any overhang but require optional adaptor base or field fabricated transition to match furnace width.

| SPECIFICATIONS                     |                              |              |           |           | 2.5 TO 4 TON |           |
|------------------------------------|------------------------------|--------------|-----------|-----------|--------------|-----------|
| General Data                       | Uncased Model No.            | EAU1P-30/36C | EAU1P-36A | EAU1P-36B | EAU1P-48B    | EAU1P-48C |
|                                    | Cased Model No.              | EAC1P-30/36C | EAC1P-36A | EAC1P-36B | EAC1P-48B    | EAC1P-48C |
|                                    | Nominal size - Tons          | 2.5 / 3      | 3         | 3         | 3.5 / 4      | 3.5 / 4   |
| Line Connections in.               | Suction / vapor o.d. - sweat | 3/4          | 3/4       | 3/4       | 7/8          | 7/8       |
|                                    | Liquid o.d. - sweat          | 3/8          | 3/8       | 3/8       | 3/8          | 3/8       |
|                                    | Condensate drain (fpt)       | (2) 3/4      | (2) 3/4   | (2) 3/4   | (2) 3/4      | (2) 3/4   |
| RFCIV metering device orifice size |                              | 0.057        | 0.070     | 0.070     | 0.071        | 0.071     |
| Shipping Data - lbs.               | Uncased                      | 29           | 31        | 33        | 43           | 44        |
|                                    | Cased                        | 48           | 46        | 50        | 55           | 60        |

<sup>1</sup> Uncased coils match furnaces without any overhang but require optional adaptor base or field fabricated transition to match furnace width.

## EAC1P Continued

| <b>SPECIFICATIONS</b>                     |                              | <b>4 TO 5 TON</b> |                     |                  |                  |
|---|------------------------------|-------------------|---------------------|------------------|------------------|
| <b>General Data</b>                       | <b>Uncased Model No.</b>     | <b>EAU1P-49C</b>  | <b>EAU1P-50/60C</b> | <b>EAU1P-60C</b> | <b>EAU1P-60D</b> |
|   | <b>Cased Model No.</b>       | <b>EAC1P-49C</b>  | <b>EAC1P-50/60C</b> | <b>EAC1P-60C</b> | <b>EAC1P-60D</b> |
|   | <b>Nominal size - Tons</b>   | 4                 | 4 / 5               | 5                | 5                |
| <b>Line Connections in.</b>               | Suction / vapor o.d. - sweat | 7/8               | 7/8                 | 7/8              | 7/8              |
|   | Liquid o.d. - sweat          | 3/8               | 3/8                 | 3/8              | 3/8              |
|   | Condensate drain (fpt)       | (2) 3/4           | (2) 3/4             | (2) 3/4          | (2) 3/4          |
| <b>RFCIV metering device orifice size</b> |                              | 0.076             | 0.070               | 0.077            | 0.077            |
| <b>Shipping Data - lbs.</b>               | Uncased                      | 53                | 40                  | 58               | 48               |
|   | Cased                        | 70                | 60                  | 73               | 72               |

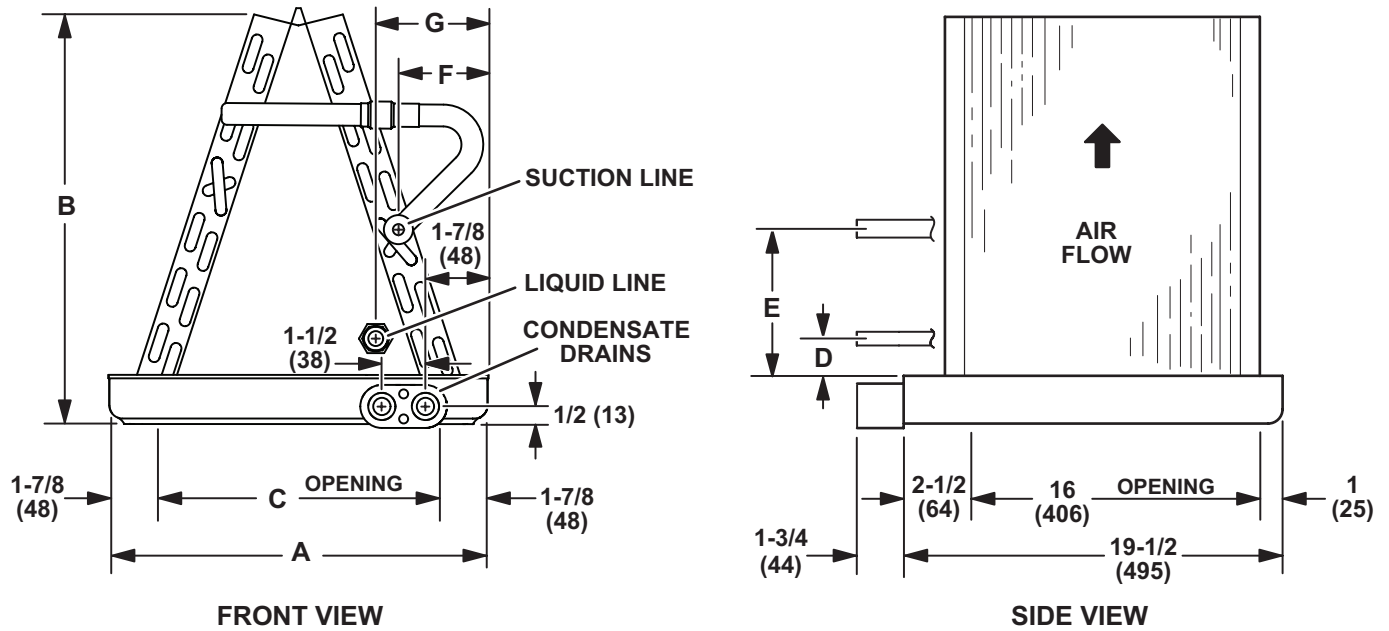
<sup>1</sup> Uncased coils match furnaces without any overhang but require optional adaptor base or field fabricated transition to match furnace width.

## EAC1P / EAU1P

## AIR RESISTANCE

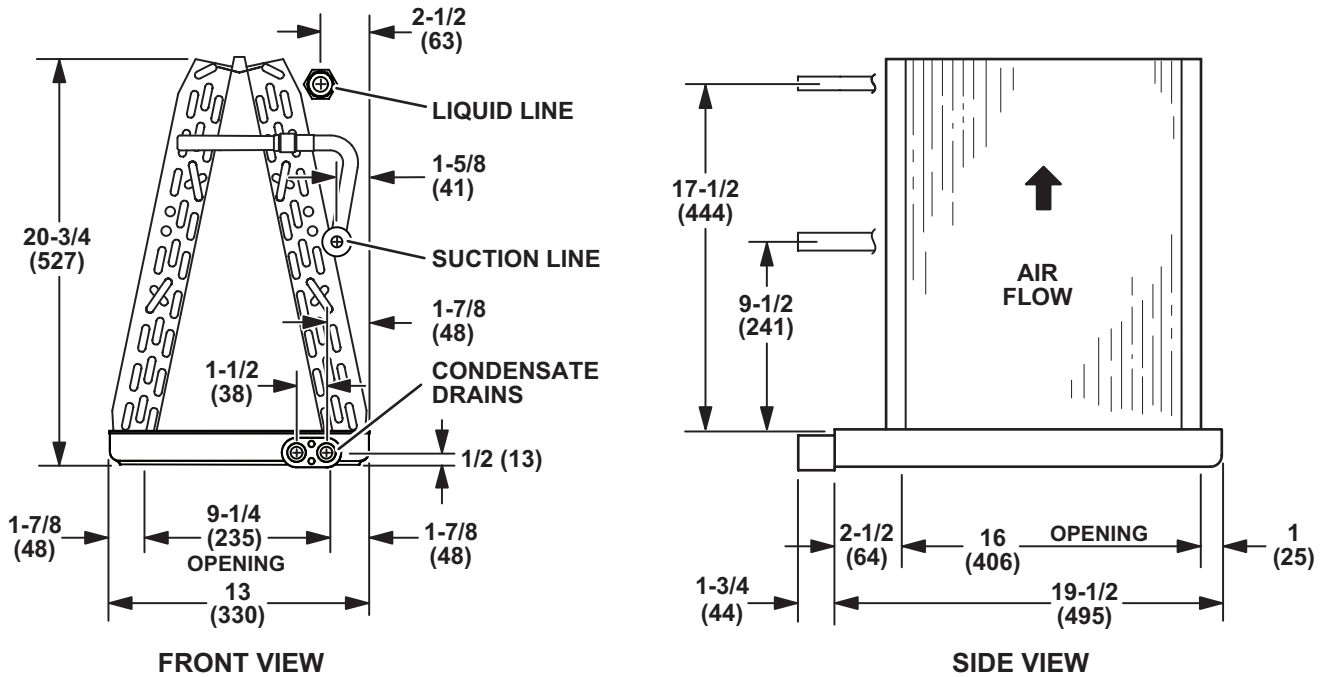
| Model No.    | Air Volume<br>cfm | Total Resistance |          | Model No.    | Air Volume<br>cfm | Total Resistance |          |
|--------------|-------------------|------------------|----------|--------------|-------------------|------------------|----------|
|              |                   | Dry Coil         | Wet Coil |              |                   | Dry Coil         | Wet Coil |
|              |                   | in. w.g.         | in. w.g. |              |                   | in. w.g.         | in. w.g. |
| EAC1P-18/24A | 400               | 0.06             | 0.08     | EAC1P-36A    | 800               | 0.13             | 0.14     |
| EAC1P-18/24B | 600               | 0.11             | 0.17     |              | 1000              | 0.19             | 0.21     |
|              | 800               | 0.18             | 0.25     |              | 1200              | 0.27             | 0.30     |
|              | 1000              | 0.27             | 0.39     |              | 1400              | 0.34             | 0.39     |
|              | 1200              | 0.37             | 0.52     |              | 1600              | 0.45             | 0.51     |
| EAC1P-24A    | 400               | 0.05             | 0.05     | EAC1P-48B    | 1000              | 0.13             | 0.13     |
|              | 600               | 0.09             | 0.10     |              | 1200              | 0.18             | 0.18     |
|              | 800               | 0.16             | 0.18     |              | 1400              | 0.23             | 0.24     |
|              | 1000              | 0.23             | 0.26     |              | 1600              | 0.30             | 0.31     |
|              | 1200              | 0.32             | 0.36     |              | 1800              | 0.37             | 0.40     |
| EAC1P-24B    | 400               | 0.03             | 0.04     | EAC1P-48C    | 1000              | 0.07             | 0.09     |
|              | 600               | 0.07             | 0.09     |              | 1200              | 0.10             | 0.12     |
|              | 800               | 0.11             | 0.15     |              | 1400              | 0.13             | 0.16     |
|              | 1000              | 0.17             | 0.22     |              | 1600              | 0.16             | 0.20     |
|              | 1200              | 0.23             | 0.31     |              | 1800              | 0.20             | 0.24     |
| EAC1P-30A    | 600               | 0.07             | 0.08     | EAC1P-49C    | 1200              | 0.08             | 0.12     |
|              | 800               | 0.12             | 0.13     |              | 1400              | 0.13             | 0.17     |
|              | 1000              | 0.18             | 0.20     |              | 1600              | 0.17             | 0.22     |
|              | 1200              | 0.26             | 0.28     |              | 1800              | 0.22             | 0.28     |
|              | 1400              | 0.34             | 0.37     |              | 2000              | 0.28             | 0.35     |
| EAC1P-30B    | 600               | 0.06             | 0.06     | EAC1P-50/60C | 1200              | 0.13             | 0.17     |
|              | 800               | 0.09             | 0.11     |              | 1400              | 0.18             | 0.23     |
|              | 1000              | 0.13             | 0.16     |              | 1600              | 0.23             | 0.29     |
|              | 1200              | 0.19             | 0.23     |              | 1800              | 0.28             | 0.37     |
|              | 1400              | 0.25             | 0.31     |              | 2000              | 0.34             | 0.43     |
| EAC1P-30/36A | 800               | 0.13             | 0.14     | EAC1P-60D    | 1400              | 0.11             | 0.15     |
|              | 1000              | 0.19             | 0.21     |              | 1600              | 0.14             | 0.18     |
|              | 1200              | 0.27             | 0.30     |              | 1800              | 0.17             | 0.21     |
|              | 1400              | 0.34             | 0.39     |              | 2000              | 0.21             | 0.27     |
|              | 1600              | 0.45             | 0.51     |              | 2200              | 0.25             | 0.32     |
| EAC1P-30/36B | 800               | 0.08             | 0.11     |              | 2400              | 0.30             | 0.37     |
| EAC1P-30/36C | 1000              | 0.13             | 0.16     | EAC1P-60C    | 1400              | 0.15             | 0.19     |
| EAC1P-36B    | 1200              | 0.17             | 0.21     |              | 1600              | 0.19             | 0.23     |
|              | 1400              | 0.22             | 0.28     |              | 1800              | 0.24             | 0.28     |
|              | 1600              | 0.29             | 0.34     |              | 2000              | 0.29             | 0.34     |
|              |                   |                  |          |              | 2200              | 0.33             | 0.40     |
|              |                   |                  |          |              | 2400              | 0.39             | 0.46     |

**EAU1P-18/24A, -18/24B, -24A, -24B Coils**

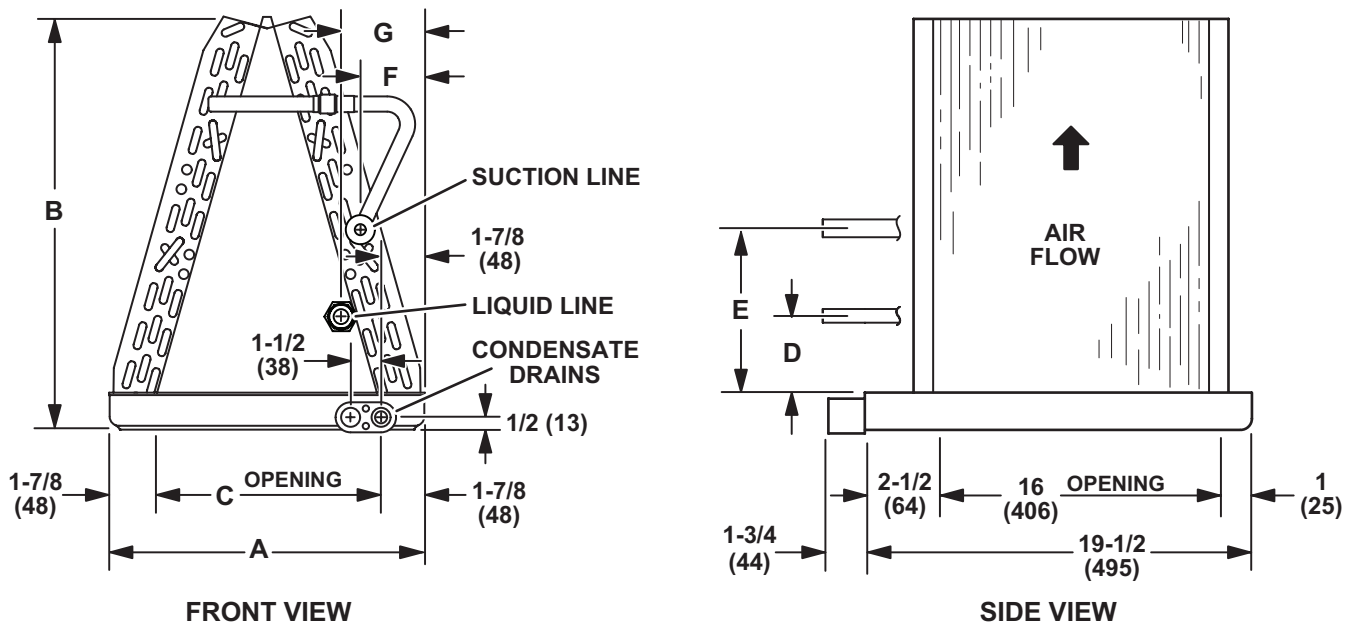


| Model Number        | A      |     | B      |     | C      |     | D     |    | E     |     | F     |    | G     |     |
|---------------------|--------|-----|--------|-----|--------|-----|-------|----|-------|-----|-------|----|-------|-----|
|                     | in.    | mm  | in.    | mm  | in.    | mm  | in.   | mm | in.   | mm  | in.   | mm | in.   | mm  |
| <b>EAU1P-18/24A</b> | 13     | 330 | 14-1/8 | 359 | 9-1/4  | 235 | 1-1/4 | 32 | 5     | 127 | 3-1/8 | 79 | 3-7/8 | 98  |
| <b>EAU1P-18/24B</b> | 15-1/2 | 394 | 14-1/8 | 359 | 11-3/4 | 298 | 1     | 25 | 4-5/8 | 117 | 2-7/8 | 73 | 3-5/8 | 92  |
| <b>EAU1P-24A</b>    | 13     | 330 | 16-3/8 | 416 | 9-1/4  | 235 | 2-7/8 | 73 | 7-5/8 | 194 | 3-1/8 | 79 | 3-3/4 | 95  |
| <b>EAU1P-24B</b>    | 15-1/2 | 394 | 16-3/8 | 416 | 11-3/4 | 298 | 2-1/4 | 57 | 7-1/2 | 190 | 3-1/8 | 79 | 4     | 102 |

**EAU1P35-30A Coil**

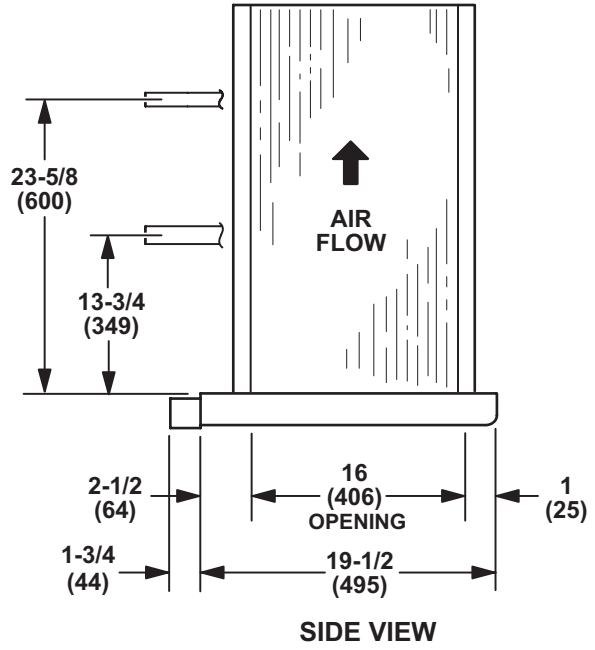
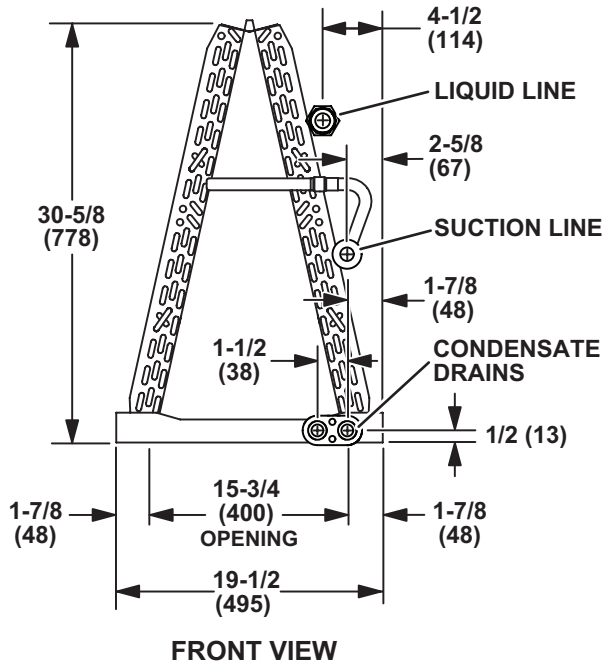


EAU1P-30B, -30/36A, -30/36B, -30/36C, -36A, -36B, -48B, -48C, -49C, -50/60C Coils

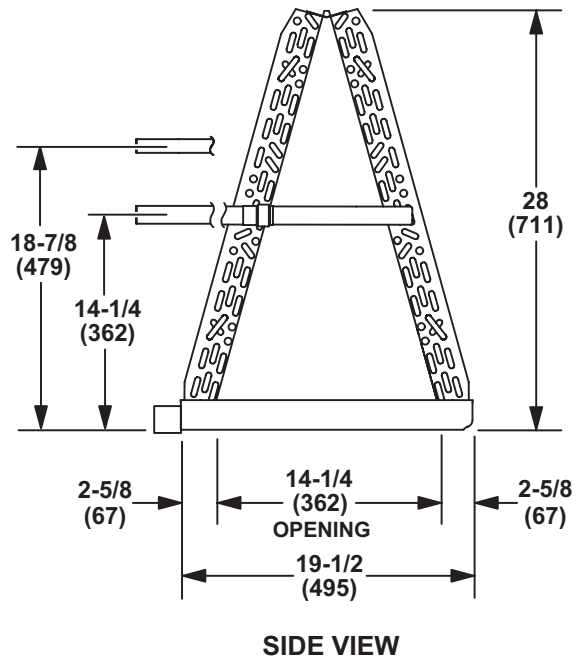
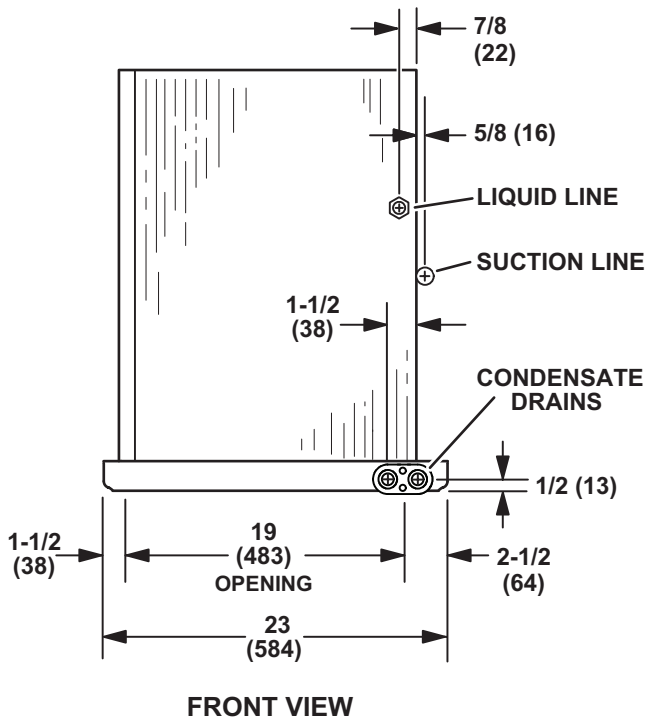


| Model Number | A      |     | B      |     | C      |     | D     |     | E      |     | F     |    | G     |     |
|--------------|--------|-----|--------|-----|--------|-----|-------|-----|--------|-----|-------|----|-------|-----|
|              | in.    | mm  | in.    | mm  | in.    | mm  | in.   | mm  | in.    | mm  | in.   | mm | in.   | mm  |
| EAU1P-30B    | 15-1/2 | 394 | 20-3/4 | 527 | 11-3/4 | 298 | 3-1/8 | 79  | 8      | 203 | 3-1/8 | 79 | 4     | 102 |
| EAU1P-30/36A | 13     | 330 | 22-1/4 | 565 | 9-1/4  | 235 | 2-1/2 | 64  | 11-3/4 | 298 | 3-1/8 | 79 | 3-7/8 | 98  |
| EAU1P-30/36B | 15-1/2 | 394 | 22-1/4 | 565 | 11-3/4 | 298 | 2-5/8 | 67  | 11     | 279 | 3-1/8 | 79 | 4     | 102 |
| EAU1P-30/36C | 20     | 508 | 22-1/4 | 565 | 16-1/4 | 413 | 2-3/8 | 60  | 11-7/8 | 302 | 3-1/8 | 79 | 4     | 102 |
| EAU1P-36A    | 13     | 330 | 22-3/8 | 568 | 9-1/4  | 235 | 4-1/4 | 108 | 12-5/8 | 321 | 2-1/2 | 64 | 3-1/2 | 89  |
| EAU1P-36B    | 15-1/2 | 394 | 22-3/8 | 568 | 11-3/4 | 298 | 4-1/2 | 114 | 13     | 330 | 2-7/8 | 73 | 3-5/8 | 92  |
| EAU1P-48B    | 15-1/2 | 394 | 26-1/4 | 667 | 11-3/4 | 298 | 4-3/8 | 111 | 12-1/4 | 311 | 3-1/8 | 79 | 3-3/4 | 95  |
| EAU1P-48C    | 20     | 508 | 26-1/4 | 667 | 16-1/4 | 413 | 4-1/8 | 105 | 11-3/4 | 298 | 3-1/8 | 79 | 3-3/4 | 95  |
| EAU1P-49C    | 19-1/2 | 495 | 28-1/2 | 724 | 15-3/4 | 400 | 4-1/2 | 114 | 11-1/4 | 286 | 2-5/8 | 67 | 3-3/4 | 95  |
| EAU1P-50/60C | 20     | 508 | 25-7/8 | 657 | 16-1/4 | 413 | 3-3/4 | 95  | 11-3/4 | 298 | 3-1/8 | 79 | 4     | 102 |

**EAU1P-60C Coil**

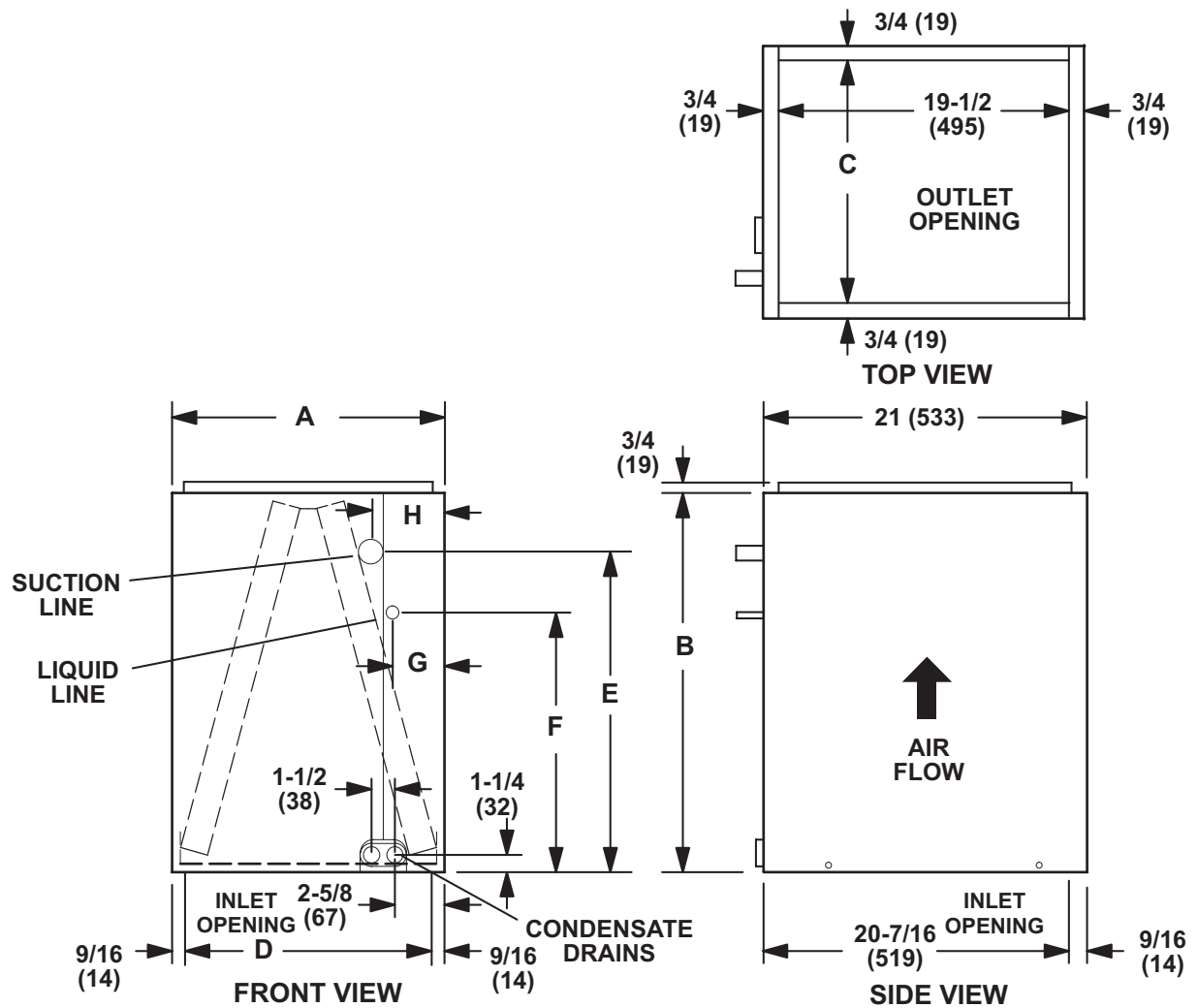


**EAU1P-60D Coil**





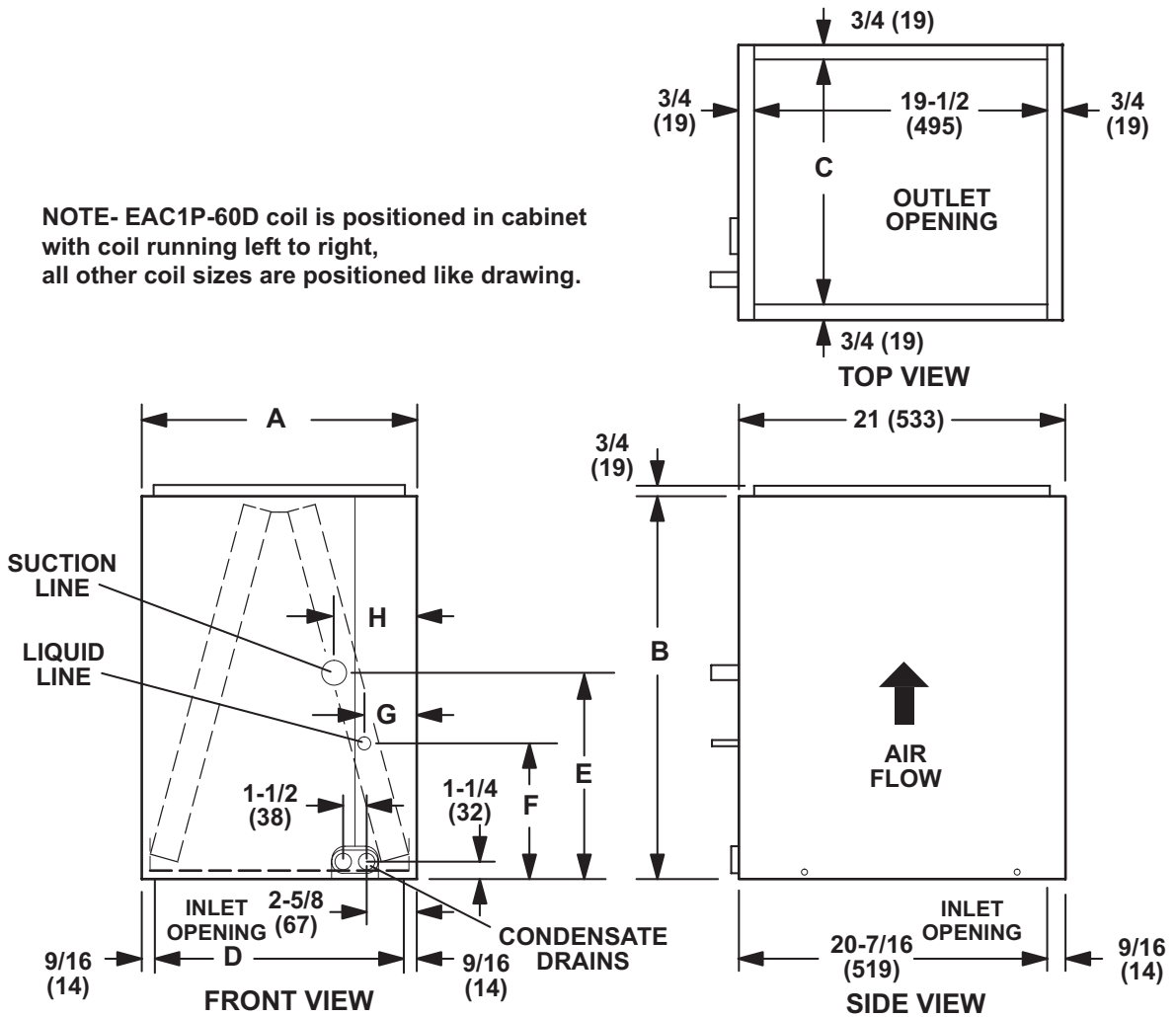
EAC1P-18/24(A/B), -30/36(A/B/C), -36(A/B) Coils



| Model Number | A      |     | B      |     | C      |     | D      |     | E      |     | F     |     | G     |    | H     |     |
|--------------|--------|-----|--------|-----|--------|-----|--------|-----|--------|-----|-------|-----|-------|----|-------|-----|
|              | in.    | mm  | in.    | mm  | in.    | mm  | in.    | mm  | in.    | mm  | in.   | mm  | in.   | mm | in.   | mm  |
| EAC1P-18/24A | 14-1/2 | 368 | 16-1/2 | 419 | 13     | 330 | 13-3/8 | 340 | 7-3/8  | 187 | 3-1/2 | 89  | 3     | 76 | 3-7/8 | 98  |
| EAC1P-18/24B | 17-1/2 | 445 | 16-1/2 | 419 | 16     | 406 | 16-3/8 | 416 | 7      | 178 | 3-1/2 | 89  | 3     | 76 | 3-7/8 | 98  |
| EAC1P-30/36A | 14-1/2 | 368 | 24-1/2 | 622 | 13     | 330 | 13-3/8 | 340 | 14-1/4 | 362 | 4-3/4 | 121 | 3     | 76 | 3-7/8 | 98  |
| EAC1P-30/36B | 17-1/2 | 445 | 24-1/2 | 622 | 16     | 406 | 16-3/8 | 416 | 13-3/8 | 340 | 4-3/4 | 121 | 3     | 76 | 4-1/8 | 108 |
| EAC1P-30/36C | 21     | 533 | 24-1/2 | 622 | 19-1/2 | 495 | 19-7/8 | 505 | 14-3/8 | 365 | 4-3/4 | 121 | 3     | 76 | 3-5/8 | 92  |
| EAC1P-36A    | 14-1/2 | 368 | 24-1/2 | 622 | 13     | 330 | 13-3/8 | 340 | 13-1/2 | 343 | 4-3/4 | 121 | 2     | 52 | 3-1/4 | 83  |
| EAC1P-36B    | 17-1/2 | 445 | 24-1/2 | 622 | 16     | 406 | 16-3/8 | 416 | 13-3/4 | 350 | 4-3/4 | 121 | 2-5/8 | 67 | 3-7/8 | 98  |

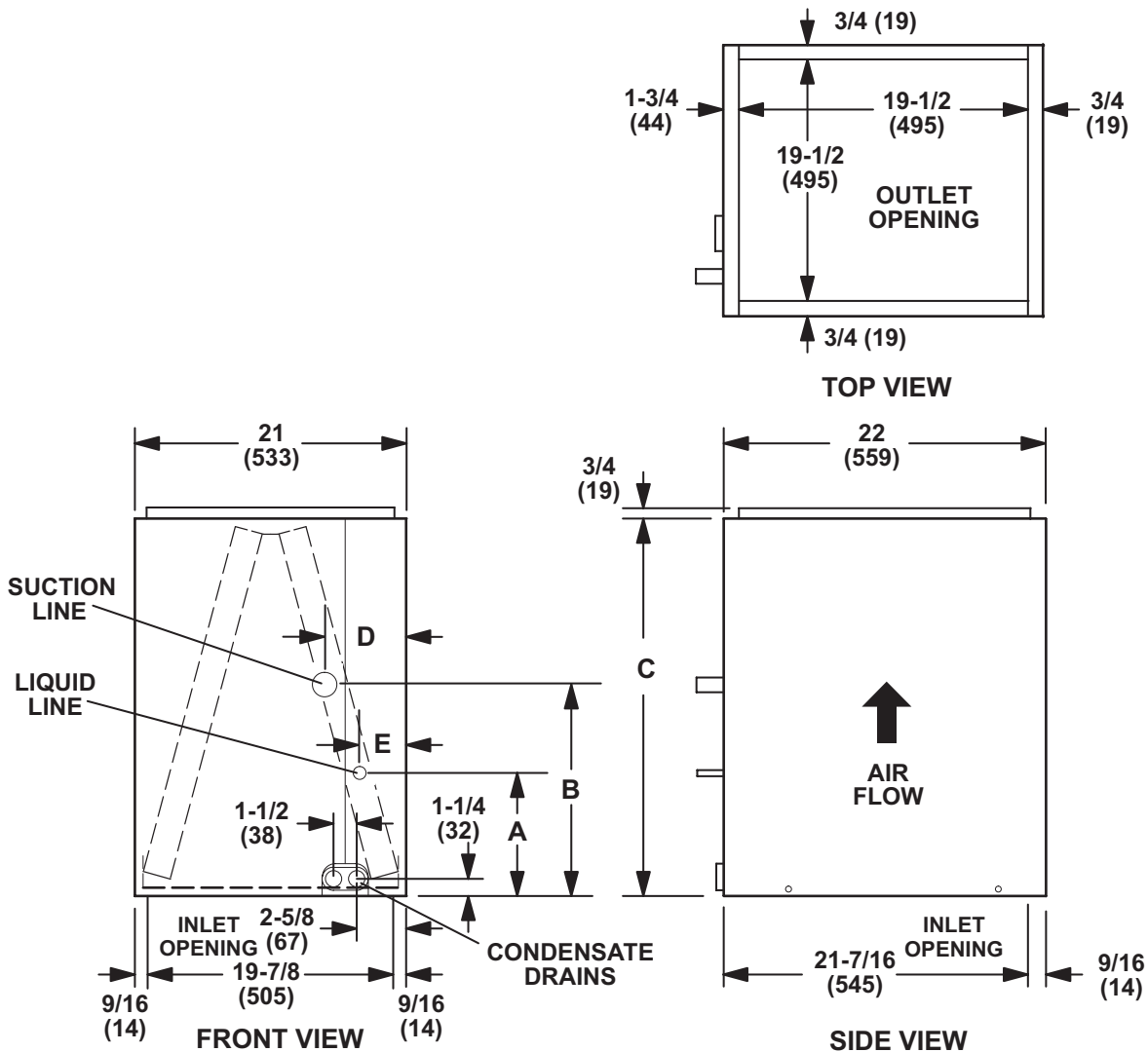
EAC1P-24(A/B), -30(A/B), -48(B/C), -50/60C and -60D Coils

NOTE- EAC1P-60D coil is positioned in cabinet with coil running left to right, all other coil sizes are positioned like drawing.



| Model Number | A      |     | B      |     | C      |     | D      |     | E      |     | F     |     | G     |    | H     |     |
|--------------|--------|-----|--------|-----|--------|-----|--------|-----|--------|-----|-------|-----|-------|----|-------|-----|
|              | in.    | mm  | in.    | mm  | in.    | mm  | in.    | mm  | in.    | mm  | in.   | mm  | in.   | mm | in.   | mm  |
| EAC1P-24A    | 14-1/2 | 368 | 18-1/2 | 470 | 13     | 330 | 13-3/8 | 340 | 10-1/8 | 257 | 3-3/8 | 86  | 3     | 76 | 3-7/8 | 98  |
| EAC1P-24B    | 17-1/2 | 445 | 18-1/2 | 470 | 16     | 406 | 16-3/8 | 416 | 10     | 254 | 3-1/2 | 89  | 3     | 76 | 3-7/8 | 98  |
| EAC1P-30A    | 14-1/2 | 368 | 22-1/2 | 572 | 13     | 330 | 13-3/8 | 340 | 12     | 305 | 3-3/8 | 86  | 3     | 76 | 3-7/8 | 98  |
| EAC1P-30B    | 17-1/2 | 445 | 22-1/2 | 572 | 16     | 406 | 16-3/8 | 416 | 10-1/2 | 267 | 3-3/8 | 86  | 3     | 76 | 3-7/8 | 98  |
| EAC1P-48B    | 17-1/2 | 445 | 27-1/2 | 699 | 16     | 406 | 16-3/8 | 416 | 12-7/8 | 327 | 3-7/8 | 98  | 3     | 76 | 4     | 102 |
| EAC1P-48C    | 21     | 533 | 27-1/2 | 699 | 19-1/2 | 495 | 19-7/8 | 505 | 12-1/2 | 318 | 4-3/4 | 121 | 2-3/4 | 70 | 3-1/2 | 89  |
| EAC1P-50/60C | 21     | 533 | 27-1/2 | 699 | 19-1/2 | 495 | 19-7/8 | 505 | 12-1/2 | 318 | 4-3/4 | 121 | 2-3/4 | 70 | 3-1/2 | 89  |
| EAC1P-60D    | 24-1/2 | 622 | 29-1/2 | 749 | 23     | 584 | 23-3/8 | 594 | 15-1/8 | 384 | 4-1/2 | 121 | 1-5/8 | 41 | 2-5/8 | 67  |

EAC1P-49C and EAC1P-60C



| Model Number | A     |     | B      |     | C      |     | D     |    | E     |    |
|--------------|-------|-----|--------|-----|--------|-----|-------|----|-------|----|
|              | in.   | mm  | in.    | mm  | in.    | mm  | in.   | mm | in.   | mm |
| EAC1P-49C    | 4-3/4 | 121 | 12-1/8 | 308 | 29-1/2 | 749 | 3-3/8 | 86 | 2-1/2 | 64 |
| EAC1P-60C    | 4-3/4 | 121 | 14-1/2 | 368 | 31-1/2 | 800 | 3-3/8 | 86 | 2-1/2 | 64 |

# EAH1P

| SPECIFICATIONS              |                            | 1.5 TO 3 TON |           |           |           |           |           |           |
|-----------------------------|----------------------------|--------------|-----------|-----------|-----------|-----------|-----------|-----------|
| General Data                | Model No.                  | EAH1P-18A    | EAH1P-24A | EAH1P-24B | EAH1P-30A | EAH1P-30B | EAH1P-36A | EAH1P-36B |
|                             | <b>Nominal size - Tons</b> | 1.5          | 2         | 2         | 2.5       | 2.5       | 3         | 3         |
| <b>Line connections in.</b> | Suction o.d. - sweat       | 3/4          | 3/4       | 3/4       | 3/4       | 3/4       | 3/4       | 3/4       |
|                             | Liquid o.d. - sweat        | 3/8          | 3/8       | 3/8       | 3/8       | 3/8       | 3/8       | 3/8       |
|                             | Condensate drain (fpt)     | (2) 3/4      | (2) 3/4   | (2) 3/4   | (2) 3/4   | (2) 3/4   | (2) 3/4   | (2) 3/4   |
| <b>Shipping Data - lbs.</b> |                            | 43           | 45        | 49        | 55        | 53        | 47        | 48        |

| SPECIFICATIONS              |                            | 3 TO 5 TON |           |           |           |           |           |           |
|-----------------------------|----------------------------|------------|-----------|-----------|-----------|-----------|-----------|-----------|
| General Data                | Model No.                  | EAH1P-36C  | EAH1P-42B | EAH1P-42C | EAH1P-48B | EAH1P-48C | EAH1P-51C | EAH1P-60D |
|                             | <b>Nominal size - Tons</b> | 3          | 3.5       | 3.5       | 3.5/4     | 3.5/4     | 4         | 5         |
| <b>Line connections in.</b> | Suction o.d. - sweat       | 3/4        | 7/8       | 7/8       | 7/8       | 7/8       | 7/8       | 7/8       |
|                             | Liquid o.d. - sweat        | 3/8        | 3/8       | 3/8       | 3/8       | 3/8       | 3/8       | 3/8       |
|                             | Condensate drain (fpt)     | (2) 3/4    | (2) 3/4   | (2) 3/4   | (2) 3/4   | (2) 3/4   | (2) 3/4   | (2) 3/4   |
| <b>Shipping Data - lbs.</b> |                            | 55         | 66        | 60        | 60        | 59        | 69        | 78        |

**EAH1P****AIR RESISTANCE**

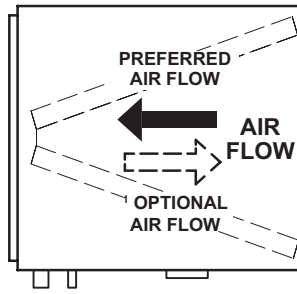
| Air Volume<br>cfm | Total Air Resistance - in. w.g. |          |           |          |           |          |           |          |           |          |           |          |           |          |
|-------------------|---------------------------------|----------|-----------|----------|-----------|----------|-----------|----------|-----------|----------|-----------|----------|-----------|----------|
|                   | EAH1P-18A                       |          | EAH1P-24A |          | EAH1P-24B |          | EAH1P-30A |          | EAH1P-30B |          | EAH1P-36A |          | EAH1P-36B |          |
|                   | Dry Coil                        | Wet Coil | Dry Coil  | Wet Coil | Dry Coil  | Wet Coil | Dry Coil  | Wet Coil | Dry Coil  | Wet Coil | Dry Coil  | Wet Coil | Dry Coil  | Wet Coil |
| 200               | 0.02                            | 0.02     | ---       | ---      | ---       | ---      | ---       | ---      | ---       | ---      | ---       | ---      | ---       | ---      |
| 400               | 0.05                            | 0.06     | 0.04      | 0.05     | 0.03      | 0.04     | 0.04      | 0.05     | 0.02      | 0.02     | ---       | ---      | ---       | ---      |
| 600               | 0.09                            | 0.11     | 0.09      | 0.11     | 0.05      | 0.07     | 0.09      | 0.10     | 0.05      | 0.06     | ---       | ---      | ---       | ---      |
| 800               | 0.15                            | 0.17     | 0.15      | 0.19     | 0.09      | 0.11     | 0.15      | 0.17     | 0.09      | 0.11     | 0.15      | 0.18     | 0.08      | 0.10     |
| 1000              | 0.22                            | 0.25     | 0.23      | 0.29     | 0.15      | 0.17     | 0.24      | 0.27     | 0.14      | 0.16     | 0.22      | 0.27     | 0.11      | 0.16     |
| 1200              | ---                             | ---      | 0.32      | 0.40     | 0.21      | 0.23     | 0.34      | 0.38     | 0.19      | 0.23     | 0.30      | 0.39     | 0.16      | 0.21     |
| 1400              | ---                             | ---      | 0.43      | 0.50     | 0.28      | 0.30     | 0.45      | 0.51     | 0.26      | 0.30     | 0.41      | 0.48     | 0.21      | 0.27     |
| 1600              | ---                             | ---      | ---       | ---      | ---       | ---      | ---       | ---      | ---       | ---      | 0.53      | 0.63     | 0.27      | 0.35     |

**AIR RESISTANCE**

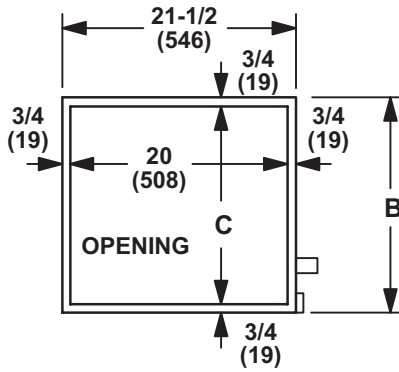
| Air Volume<br>cfm | EAH1P-36C |          | EAH1P-42B |          | EAH1P-42C |          | EAH1P-48B |          | EAH1P-48C |          | EAH1P-51C |          | EAH1P-60D |          |
|-------------------|-----------|----------|-----------|----------|-----------|----------|-----------|----------|-----------|----------|-----------|----------|-----------|----------|
|                   | Dry Coil  | Wet Coil | Dry Coil  | Wet Coil | Dry Coil  | Wet Coil | Dry Coil  | Wet Coil | Dry Coil  | Wet Coil | Dry Coil  | Wet Coil | Dry Coil  | Wet Coil |
| 800               | 0.06      | 0.08     | 0.10      | 0.10     | 0.06      | 0.06     | ---       | ---      | ---       | ---      | ---       | ---      | ---       | ---      |
| 1000              | 0.10      | 0.13     | 0.14      | 0.18     | 0.09      | 0.10     | 0.14      | 0.16     | ---       | ---      | ---       | ---      | ---       | ---      |
| 1200              | 0.15      | 0.18     | 0.20      | 0.25     | 0.15      | 0.16     | 0.19      | 0.23     | 0.16      | 0.19     | 0.15      | 0.16     | ---       | ---      |
| 1400              | 0.19      | 0.23     | 0.26      | 0.31     | 0.18      | 0.21     | 0.25      | 0.29     | 0.21      | 0.26     | 0.20      | 0.23     | 0.12      | 0.16     |
| 1600              | 0.24      | 0.31     | 0.34      | 0.36     | 0.26      | 0.28     | 0.30      | 0.38     | 0.27      | 0.30     | 0.25      | 0.29     | 0.16      | 0.20     |
| 1800              | ---       | ---      | 0.42      | 0.47     | 0.31      | 0.38     | 0.38      | 0.42     | 0.33      | 0.39     | 0.31      | 0.36     | 0.20      | 0.24     |
| 2000              | ---       | ---      | ---       | ---      | ---       | ---      | ---       | ---      | 0.39      | 0.49     | 0.40      | 0.44     | 0.24      | 0.30     |
| 2200              | ---       | ---      | ---       | ---      | ---       | ---      | ---       | ---      | ---       | ---      | 0.48      | 0.54     | 0.29      | 0.36     |
| 2400              | ---       | ---      | ---       | ---      | ---       | ---      | ---       | ---      | ---       | ---      | ---       | ---      | 0.34      | 0.42     |

**EH1P-18 Through EH1P-60**

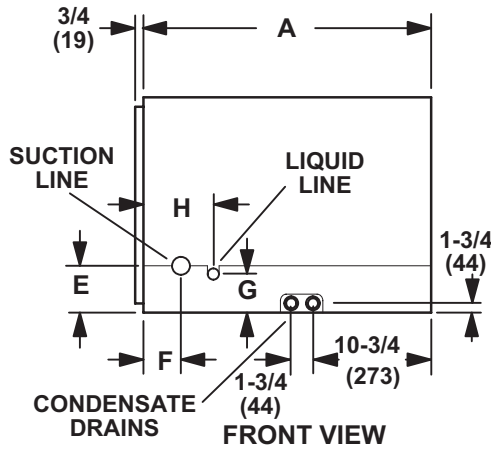
<sup>1</sup> Optional right-hand airflow requires a field fabricated 6 in. (152 mm) spacer in-between the furnace and coil.



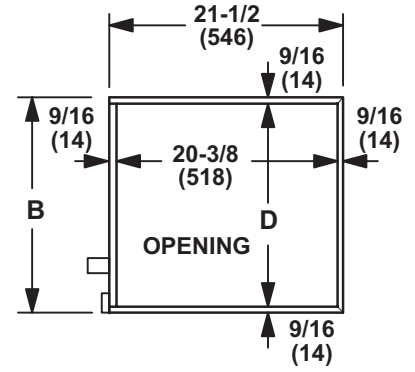
**TOP VIEW**



**END VIEW**



**FRONT VIEW**



**END VIEW**

| Model No. | A      |     | B      |     | C      |     | D      |     | E   |     | F     |    | G   |    | H     |     |
|-----------|--------|-----|--------|-----|--------|-----|--------|-----|-----|-----|-------|----|-----|----|-------|-----|
|           | in.    | mm  | in.    | mm  | in.    | mm  | in.    | mm  | in. | mm  | in.   | mm | in. | mm | in.   | mm  |
| EAH1P-18A | 26-1/2 | 673 | 14-1/2 | 368 | 13     | 330 | 13-3/8 | 340 | 4   | 102 | 2-1/8 | 54 | 3   | 76 | 4-7/8 | 124 |
| EAH1P-24A | 26-1/2 | 673 | 14-1/2 | 368 | 13     | 330 | 13-3/8 | 340 | 4   | 102 | 2-1/8 | 54 | 3   | 76 | 4-7/8 | 124 |
| EAH1P-24B | 26-1/2 | 673 | 17-1/2 | 444 | 16     | 406 | 16-3/8 | 416 | 4   | 102 | 2-1/8 | 54 | 3   | 76 | 4-7/8 | 124 |
| EAH1P-30A | 31-1/2 | 800 | 14-1/2 | 368 | 13     | 330 | 13-3/8 | 340 | 4   | 102 | 2-1/8 | 54 | 3   | 76 | 4-7/8 | 124 |
| EAH1P-30B | 26-1/2 | 673 | 17-1/2 | 444 | 16     | 406 | 16-3/8 | 416 | 4   | 102 | 2-1/8 | 54 | 3   | 76 | 4-7/8 | 124 |
| EAH1P-36A | 26-1/2 | 673 | 14-1/2 | 368 | 13     | 330 | 13-3/8 | 340 | 4   | 102 | 2-1/8 | 54 | 3   | 76 | 4-7/8 | 124 |
| EAH1P-36B | 26-1/2 | 673 | 17-1/2 | 444 | 16     | 406 | 16-3/8 | 416 | 4   | 102 | 2-1/8 | 54 | 3   | 76 | 4-7/8 | 124 |
| EAH1P-36C | 26-1/2 | 673 | 21     | 533 | 19-1/2 | 495 | 19-7/8 | 505 | 4   | 102 | 2-1/8 | 54 | 3   | 76 | 4-7/8 | 124 |
| EAH1P-42B | 31-1/2 | 800 | 17-1/2 | 444 | 16     | 406 | 16-3/8 | 416 | 4   | 102 | 2-1/8 | 54 | 3   | 76 | 4-7/8 | 124 |
| EAH1P-42C | 26-1/2 | 673 | 21     | 533 | 19-1/2 | 495 | 19-7/8 | 505 | 4   | 102 | 2-1/8 | 54 | 3   | 76 | 4-7/8 | 124 |
| EAH1P-48B | 31-1/2 | 800 | 17-1/2 | 444 | 16     | 406 | 16-3/8 | 416 | 4   | 102 | 2-1/8 | 54 | 3   | 76 | 4-7/8 | 124 |
| EAH1P-48C | 26-1/2 | 673 | 21     | 533 | 19-1/2 | 495 | 19-7/8 | 505 | 4   | 102 | 2-1/8 | 54 | 3   | 76 | 4-7/8 | 124 |
| EAH1P-51C | 31-1/2 | 800 | 21     | 533 | 19-1/2 | 495 | 19-7/8 | 505 | 4   | 102 | 2-1/8 | 54 | 3   | 76 | 4-7/8 | 124 |
| EAH1P-60D | 31-1/2 | 800 | 24-1/2 | 622 | 23     | 584 | 23-3/8 | 594 | 4   | 102 | 2-1/8 | 54 | 3   | 76 | 4-7/8 | 124 |

**EAC4X**

| <b>SPECIFICATIONS</b>       |                              |                  |                     |                     | <b>1.5 TO 2 TON</b> |                  |
|-----------------------------|------------------------------|------------------|---------------------|---------------------|---------------------|------------------|
| <b>General Data</b>         |                              | <b>Model No.</b> | <b>EAC4X-18/24A</b> | <b>EAC4X-18/24B</b> | <b>EAC4X-24A</b>    | <b>EAC4X-24B</b> |
| <b>Nominal size - Tons</b>  |                              |                  | 1.5 / 2             | 1.5 / 2             | 2                   | 2                |
| <b>Line Connections in.</b> | Suction / vapor o.d. - sweat |                  | 3/4                 | 3/4                 | 3/4                 | 3/4              |
|                             | Liquid o.d. - sweat          |                  | 3/8                 | 3/8                 | 3/8                 | 3/8              |
|                             | Condensate drain (fpt)       |                  | (2) 3/4             | (2) 3/4             | (2) 3/4             | (2) 3/4          |
| <b>Shipping Data - lbs.</b> |                              |                  | 30                  | 34                  | 38                  | 43               |

| <b>SPECIFICATIONS</b>       |                              |                  |                  |                  | <b>2.5 TO 3 TON</b> |                     |
|-----------------------------|------------------------------|------------------|------------------|------------------|---------------------|---------------------|
| <b>General Data</b>         |                              | <b>Model No.</b> | <b>EAC4X-30A</b> | <b>EAC4X-30B</b> | <b>EAC4X-30/36A</b> | <b>EAC4X-30/36B</b> |
| <b>Nominal size - Tons</b>  |                              |                  | 2.5              | 2.5              | 2.5 / 3             | 2.5 / 3             |
| <b>Line Connections in.</b> | Suction / vapor o.d. - sweat |                  | 3/4              | 3/4              | 3/4                 | 3/4                 |
|                             | Liquid o.d. - sweat          |                  | 3/8              | 3/8              | 3/8                 | 3/8                 |
|                             | Condensate drain (fpt)       |                  | (2) 3/4          | (2) 3/4          | (2) 3/4             | (2) 3/4             |
| <b>Shipping Data - lbs.</b> |                              |                  | 45               | 50               | 41                  | 45                  |

| <b>SPECIFICATIONS</b>       |                              |                  |                     |                  | <b>2.5 TO 4 TON</b> |                  |                  |
|-----------------------------|------------------------------|------------------|---------------------|------------------|---------------------|------------------|------------------|
| <b>General Data</b>         |                              | <b>Model No.</b> | <b>EAC4X-30/36C</b> | <b>EAC4X-36A</b> | <b>EAC4X-36B</b>    | <b>EAC4X-48B</b> | <b>EAC4X-48C</b> |
| <b>Nominal size - Tons</b>  |                              |                  | 2.5 / 3             | 3                | 3                   | 3.5 / 4          | 3.5 / 4          |
| <b>Line Connections in.</b> | Suction / vapor o.d. - sweat |                  | 3/4                 | 3/4              | 3/4                 | 7/8              | 7/8              |
|                             | Liquid o.d. - sweat          |                  | 3/8                 | 3/8              | 3/8                 | 3/8              | 3/8              |
|                             | Condensate drain (fpt)       |                  | (2) 3/4             | (2) 3/4          | (2) 3/4             | (2) 3/4          | (2) 3/4          |
| <b>Shipping Data - lbs.</b> |                              |                  | 48                  | 46               | 50                  | 55               | 60               |

| <b>SPECIFICATIONS</b>       |                              |                  |                  |                     | <b>4 TO 5 TON</b> |                  |
|-----------------------------|------------------------------|------------------|------------------|---------------------|-------------------|------------------|
| <b>General Data</b>         |                              | <b>Model No.</b> | <b>EAC4X-49C</b> | <b>EAC4X-50/60C</b> | <b>EAC4X-60C</b>  | <b>EAC4X-60D</b> |
| <b>Nominal size - Tons</b>  |                              |                  | 4                | 4 / 5               | 5                 | 5                |
| <b>Line Connections in.</b> | Suction / vapor o.d. - sweat |                  | 7/8              | 7/8                 | 7/8               | 7/8              |
|                             | Liquid o.d. - sweat          |                  | 3/8              | 3/8                 | 3/8               | 3/8              |
|                             | Condensate drain (fpt)       |                  | (2) 3/4          | (2) 3/4             | (2) 3/4           | (2) 3/4          |
| <b>Shipping Data - lbs.</b> |                              |                  | 70               | 60                  | 73                | 72               |

**EAC4X**

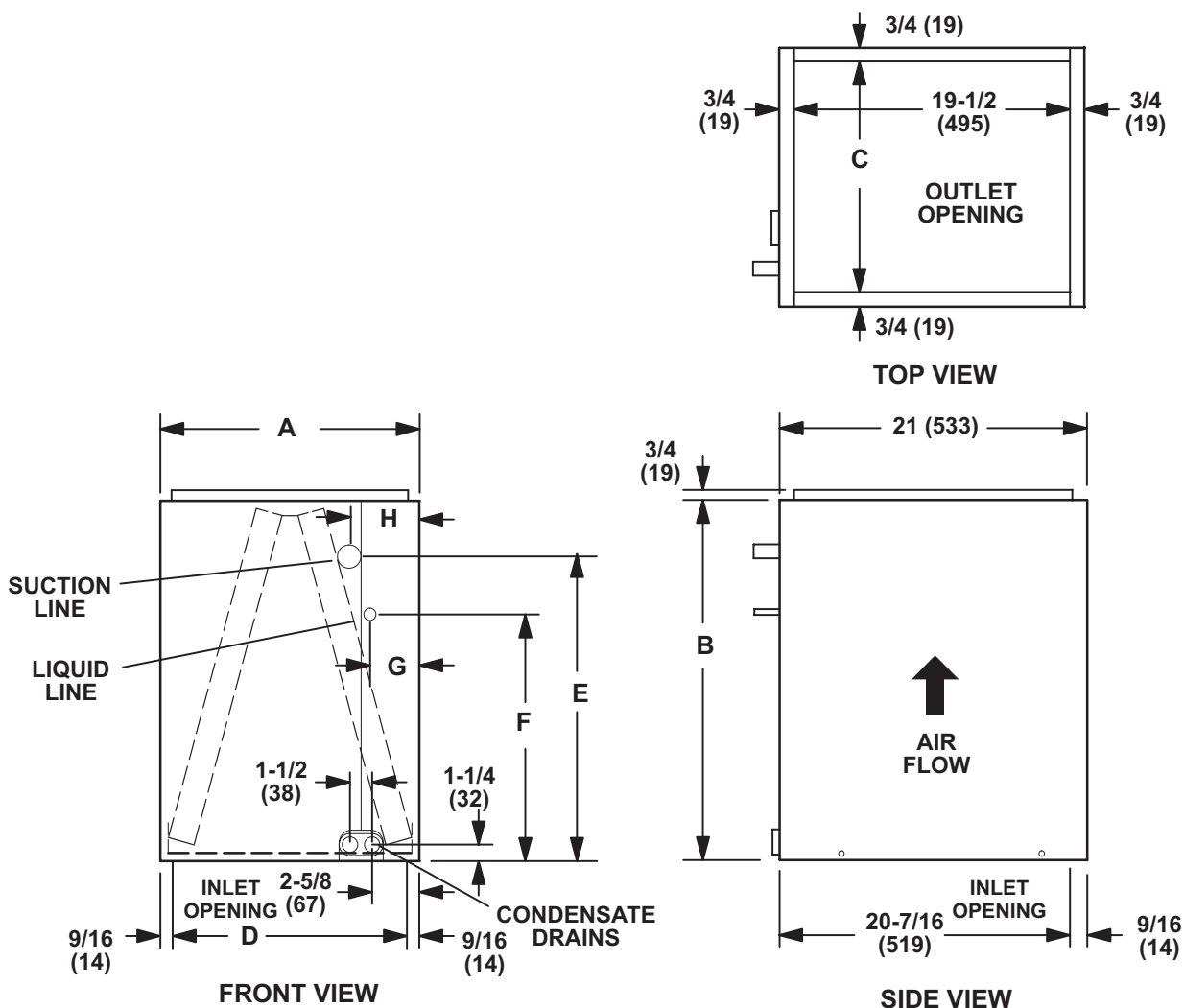
**AIR RESISTANCE**

| Model No.  | Air Volume<br>cfm | Total Resistance |          |
|--|-------------------|------------------|----------|
|  |                   | Dry Coil         | Wet Coil |
|  |                   | in. w.g.         | in. w.g. |
| <b>EAC4X35-18/24A</b><br><b>EAC4X35-18/24B</b>                       | 400               | 0.06             | 0.08     |
|  | 600               | 0.11             | 0.17     |
|  | 800               | 0.18             | 0.25     |
|  | 1000              | 0.27             | 0.39     |
|  | 1200              | 0.37             | 0.52     |
| <b>EAC4X35-24A</b>   | 400               | 0.05             | 0.05     |
|  | 600               | 0.09             | 0.10     |
|  | 800               | 0.16             | 0.18     |
|  | 1000              | 0.23             | 0.26     |
|  | 1200              | 0.32             | 0.36     |
| <b>EAC4X35-24B</b>   | 400               | 0.03             | 0.04     |
|  | 600               | 0.07             | 0.09     |
|  | 800               | 0.11             | 0.15     |
|  | 1000              | 0.17             | 0.22     |
|  | 1200              | 0.23             | 0.31     |
| <b>EAC4X35-30A</b>   | 600               | 0.07             | 0.08     |
|  | 800               | 0.12             | 0.13     |
|  | 1000              | 0.18             | 0.20     |
|  | 1200              | 0.26             | 0.28     |
|  | 1400              | 0.34             | 0.37     |
| <b>EAC4X35-30B</b>   | 600               | 0.06             | 0.06     |
|  | 800               | 0.09             | 0.11     |
|  | 1000              | 0.13             | 0.16     |
|  | 1200              | 0.19             | 0.23     |
|  | 1400              | 0.25             | 0.31     |
| <b>EAC4X35-30/36A</b>  | 800               | 0.13             | 0.14     |
|  | 1000              | 0.19             | 0.21     |
|  | 1200              | 0.27             | 0.30     |
|  | 1400              | 0.34             | 0.39     |
|  | 1600              | 0.45             | 0.51     |
| <b>EAC4X35-30/36B</b><br><b>EAC4X35-30/36C</b><br><b>EAC4X35-36B</b> | 800               | 0.08             | 0.11     |
|  | 1000              | 0.13             | 0.16     |
|  | 1200              | 0.17             | 0.21     |
|  | 1400              | 0.22             | 0.28     |
|  | 1600              | 0.29             | 0.34     |

| Model No.             | Air Volume<br>cfm | Total Resistance |          |
|-----------------------|-------------------|------------------|----------|
|                       |                   | Dry Coil         | Wet Coil |
|                       |                   | in. w.g.         | in. w.g. |
| <b>EAC4X35-36A</b>    | 800               | 0.13             | 0.14     |
|                       | 1000              | 0.19             | 0.21     |
|                       | 1200              | 0.27             | 0.30     |
|                       | 1400              | 0.34             | 0.39     |
|                       | 1600              | 0.45             | 0.51     |
| <b>EAC4X35-48B</b>    | 1000              | 0.13             | 0.13     |
|                       | 1200              | 0.18             | 0.18     |
|                       | 1400              | 0.23             | 0.24     |
|                       | 1600              | 0.30             | 0.31     |
|                       | 1800              | 0.37             | 0.40     |
| <b>EAC4X35-48C</b>    | 1000              | 0.07             | 0.09     |
|                       | 1200              | 0.10             | 0.12     |
|                       | 1400              | 0.13             | 0.16     |
|                       | 1600              | 0.16             | 0.20     |
|                       | 1800              | 0.20             | 0.24     |
| <b>EAC4X35-49C</b>    | 1200              | 0.08             | 0.12     |
|                       | 1400              | 0.13             | 0.17     |
|                       | 1600              | 0.17             | 0.22     |
|                       | 1800              | 0.22             | 0.28     |
|                       | 2000              | 0.28             | 0.35     |
| <b>EAC4X35-50/60C</b> | 1200              | 0.13             | 0.17     |
|                       | 1400              | 0.18             | 0.23     |
|                       | 1600              | 0.23             | 0.29     |
|                       | 1800              | 0.28             | 0.37     |
|                       | 2000              | 0.34             | 0.43     |
| <b>EAC4X35-60D</b>    | 1400              | 0.11             | 0.15     |
|                       | 1600              | 0.14             | 0.18     |
|                       | 1800              | 0.17             | 0.21     |
|                       | 2000              | 0.21             | 0.27     |
|                       | 2200              | 0.25             | 0.32     |
|                       | 2400              | 0.30             | 0.37     |
| <b>EAC4X35-60C</b>    | 1400              | 0.15             | 0.19     |
|                       | 1600              | 0.19             | 0.23     |
|                       | 1800              | 0.24             | 0.28     |
|                       | 2000              | 0.29             | 0.34     |
|                       | 2200              | 0.33             | 0.40     |
|                       | 2400              | 0.39             | 0.46     |



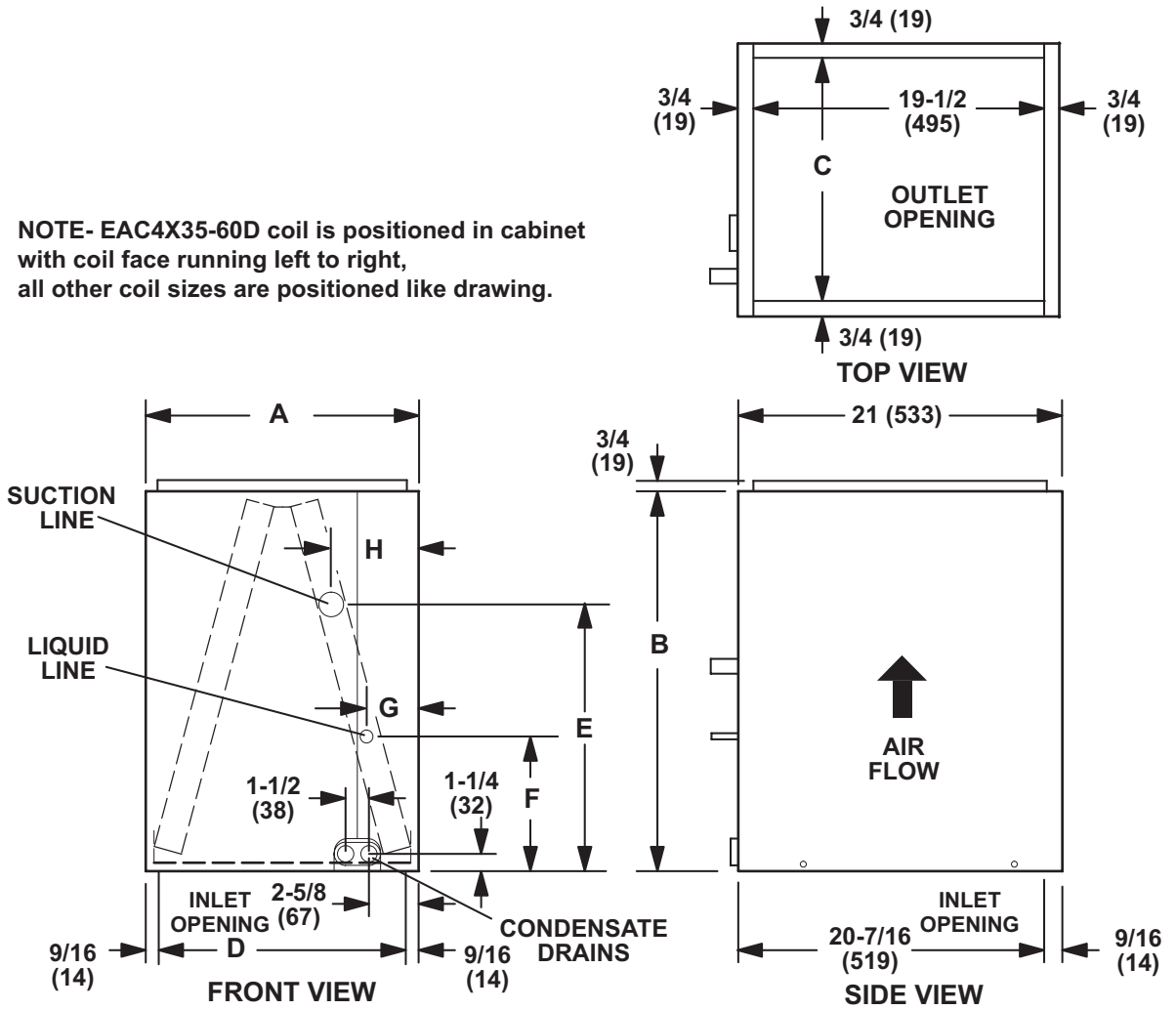
EAC4X-18/24(A/B), -30/36(A/B/C) and -36(A/B) Coils



| Model Number | A      |     | B      |     | C      |     | D      |     | E      |     | F     |     | G     |    | H     |     |
|--------------|--------|-----|--------|-----|--------|-----|--------|-----|--------|-----|-------|-----|-------|----|-------|-----|
|              | in.    | mm  | in.    | mm  | in.    | mm  | in.    | mm  | in.    | mm  | in.   | mm  | in.   | mm | in.   | mm  |
| EAC4X-18/24A | 14-1/2 | 368 | 16-1/2 | 419 | 13     | 330 | 13-3/8 | 340 | 7-3/8  | 187 | 3-1/2 | 89  | 3     | 76 | 3-7/8 | 98  |
| EAC4X-18/24B | 17-1/2 | 445 | 16-1/2 | 419 | 16     | 406 | 16-3/8 | 416 | 7      | 178 | 3-1/2 | 89  | 3     | 76 | 3-7/8 | 98  |
| EAC4X-30/36A | 14-1/2 | 368 | 24-1/2 | 622 | 13     | 330 | 13-3/8 | 340 | 14-1/4 | 362 | 4-3/4 | 121 | 3     | 76 | 3-7/8 | 98  |
| EAC4X-30/36B | 17-1/2 | 445 | 24-1/2 | 622 | 16     | 406 | 16-3/8 | 416 | 13-3/8 | 340 | 4-3/4 | 121 | 3     | 76 | 4-1/8 | 108 |
| EAC4X-30/36C | 21     | 533 | 24-1/2 | 622 | 19-1/2 | 495 | 19-7/8 | 505 | 14-3/8 | 365 | 4-3/4 | 121 | 3     | 76 | 3-5/8 | 92  |
| EAC4X-36A    | 14-1/2 | 368 | 24-1/2 | 622 | 13     | 330 | 13-3/8 | 340 | 13-1/2 | 343 | 4-3/4 | 121 | 2     | 52 | 3-1/4 | 83  |
| EAC4X-36B    | 17-1/2 | 445 | 24-1/2 | 622 | 16     | 406 | 16-3/8 | 416 | 13-3/4 | 350 | 4-3/4 | 121 | 2-5/8 | 67 | 3-7/8 | 98  |

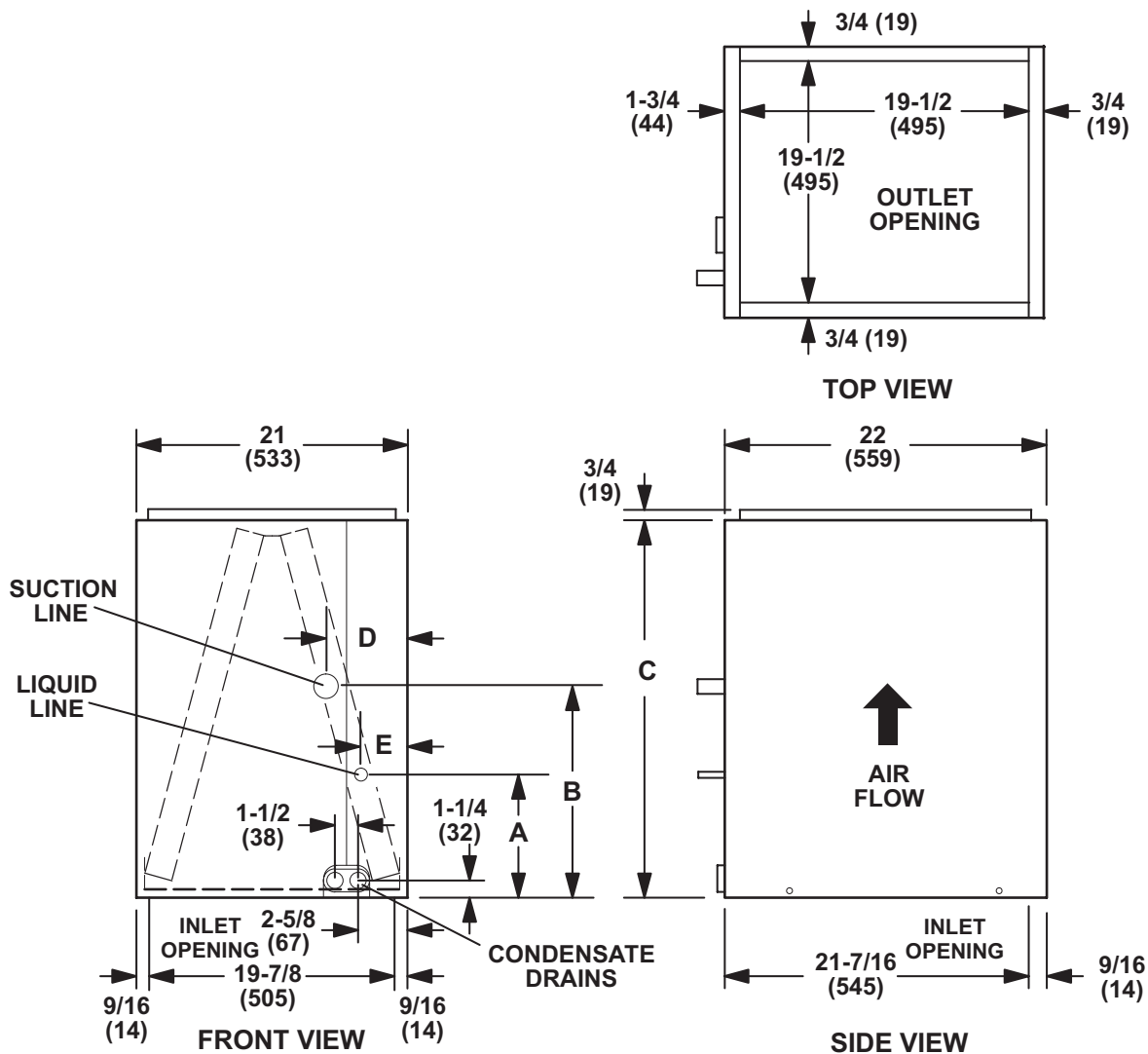
EAC4X-24(A/B), -30(A/B), -48(B/C), -50/60C and -60D Coils

NOTE- EAC4X35-60D coil is positioned in cabinet with coil face running left to right, all other coil sizes are positioned like drawing.



| Model Number | A      |     | B      |     | C      |     | D      |     | E      |     | F     |     | G     |    | H     |     |
|--------------|--------|-----|--------|-----|--------|-----|--------|-----|--------|-----|-------|-----|-------|----|-------|-----|
|              | in.    | mm  | in.    | mm  | in.    | mm  | in.    | mm  | in.    | mm  | in.   | mm  | in.   | mm | in.   | mm  |
| EAC4X-24A    | 14-1/2 | 368 | 18-1/2 | 470 | 13     | 330 | 13-3/8 | 340 | 10-1/8 | 257 | 3-3/8 | 86  | 3     | 76 | 3-7/8 | 98  |
| EAC4X-24B    | 17-1/2 | 445 | 18-1/2 | 470 | 16     | 406 | 16-3/8 | 416 | 10     | 254 | 3-1/2 | 89  | 3     | 76 | 3-7/8 | 98  |
| EAC4X-30A    | 14-1/2 | 368 | 22-1/2 | 572 | 13     | 330 | 13-3/8 | 340 | 12     | 305 | 3-3/8 | 86  | 3     | 76 | 3-7/8 | 98  |
| EAC4X-30B    | 17-1/2 | 445 | 22-1/2 | 572 | 16     | 406 | 16-3/8 | 416 | 10-1/2 | 267 | 3-3/8 | 86  | 3     | 76 | 3-7/8 | 98  |
| EAC4X-48B    | 17-1/2 | 445 | 27-1/2 | 699 | 16     | 406 | 16-3/8 | 416 | 12-7/8 | 327 | 3-7/8 | 98  | 3     | 76 | 4     | 102 |
| EAC4X-48C    | 21     | 533 | 27-1/2 | 699 | 19-1/2 | 495 | 19-7/8 | 505 | 12-1/2 | 318 | 4-3/4 | 121 | 2-3/4 | 70 | 3-1/2 | 89  |
| EAC4X-50/60C | 21     | 533 | 27-1/2 | 699 | 19-1/2 | 495 | 19-7/8 | 505 | 12-1/2 | 318 | 4-3/4 | 121 | 2-3/4 | 70 | 3-1/2 | 89  |
| EAC4X-60D    | 24-1/2 | 622 | 29-1/2 | 749 | 23     | 584 | 23-3/8 | 594 | 15-1/8 | 384 | 4-1/2 | 121 | 1-5/8 | 41 | 2-5/8 | 67  |

EAC4X-49C and EAC4X-60C



| Model Number | A     |     | B      |     | C      |     | D     |    | E     |    |
|--------------|-------|-----|--------|-----|--------|-----|-------|----|-------|----|
|              | in.   | mm  | in.    | mm  | in.    | mm  | in.   | mm | in.   | mm |
| EAC4X-49C    | 4-3/4 | 121 | 12-1/8 | 308 | 29-1/2 | 749 | 3-3/8 | 86 | 2-1/2 | 64 |
| EAC4X-60C    | 4-3/4 | 121 | 14-1/2 | 368 | 31-1/2 | 800 | 3-3/8 | 86 | 2-1/2 | 64 |



1-800-448-5872

All specifications and illustrations subject to change without notice and without incurring obligations.