

EVAPORATOR COILS

PRODUCT SPECIFICATIONS

FORM NO. EC/M/U/H1P-100 (05/2017)

EVAPORATOR COILS FEATURES

- Microban® antimicrobial additive in the drain pan to resist mold and mildew growth.
- One of the lowest water retention drain pans in the industry to minimize mold and mildew growth.
- Interlocking door assemblies and snug line seal grommets to minimize air leakage
- Foil-face insulation for easy cleaning
- Tubing located at door split for easy coil service or cleaning
- All drain pans are compatible with UV lights
- All piston coils are compatible with R22 or R410a
- 10-year limited parts warranty available when applied with a system.
See limited warranty document for details.

Upflow/Counterflow Coils

EC4X (Cased)

- Factory installed TXV for quick installation in high efficiency applications
- Tightly sealed, painted steel cabinet with wall to wall insulation to ensure <2% air leakage.
- Single protruding right side dual drain port for easy installation and service access.

EC1P (Cased)

- External cabinet mounted distributor body designed for easy changing of orifice sizes and fast TXV connections
- Two dual drain on front of coil for install flexibility of drain lines around furnace vent and utility connections.

EU1P/EUL1P (Uncased)

- Low profile models available (EUL1P for space constrained applications
- Two dual drain connections on front of coil for install flexibility of drain lines around furnace vent and utility connections
- Orifice assembly designed for easy changing of orifice sizes and fast TXV connections

Horizontal Coils

EM1P (Cased)

- Upflow/ Horizontal for application flexibility
- Side drain pan built in for easy horizontal installations

EH1P (Cased)

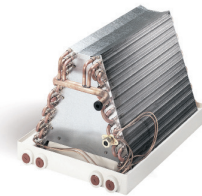
- Dedicated horizontal
- Insulated galvanized steel case with durable embossed finish
- Removable top panels for easy service or cleaning
- Dual condensate drains on front and back of coil allows flexibility of placement to accommodate left or right airflow furnaces
- Refrigerant connections on top of coil for ease of installation in left or right airflow furnaces



EC4X



EC1P



EU1P
EUL1P



EM1P



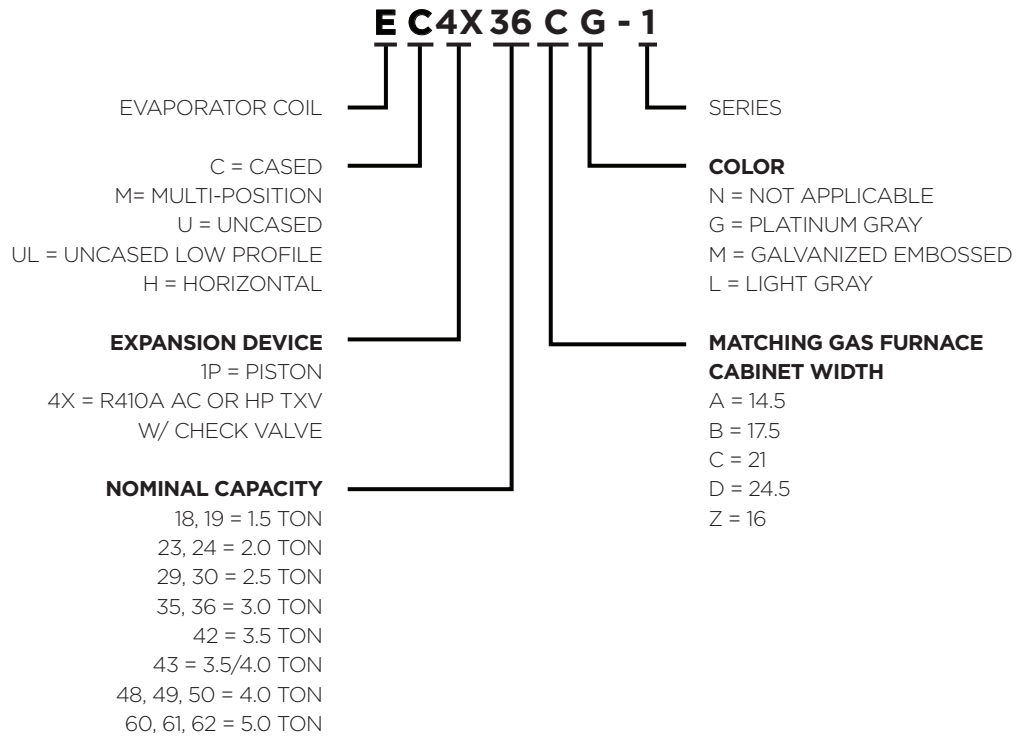
EH1P

WARRANTY

10 year limited parts warranty available when applied with a system. See limited warranty document for details.



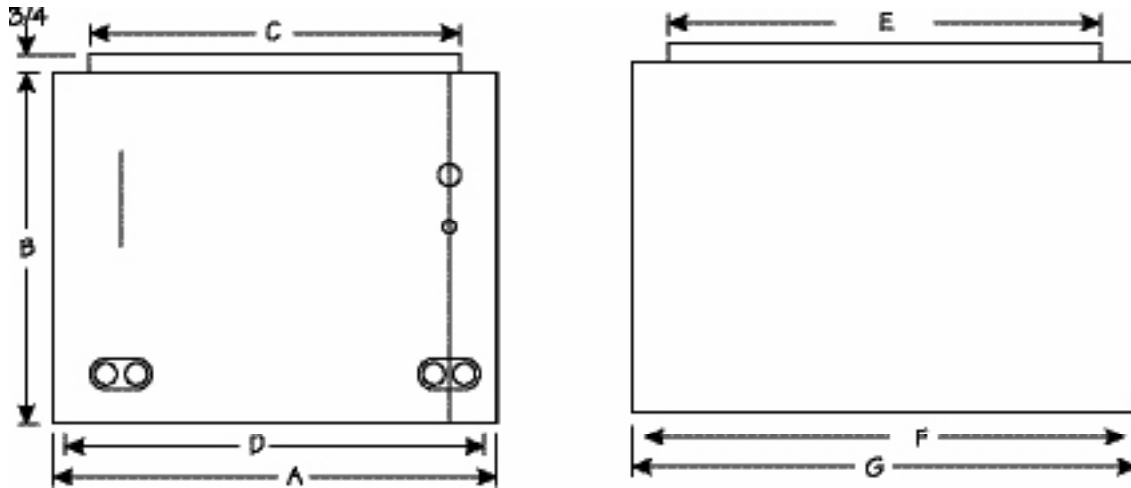
MODEL NUMBER GUIDE



COIL PRESSURE DROP

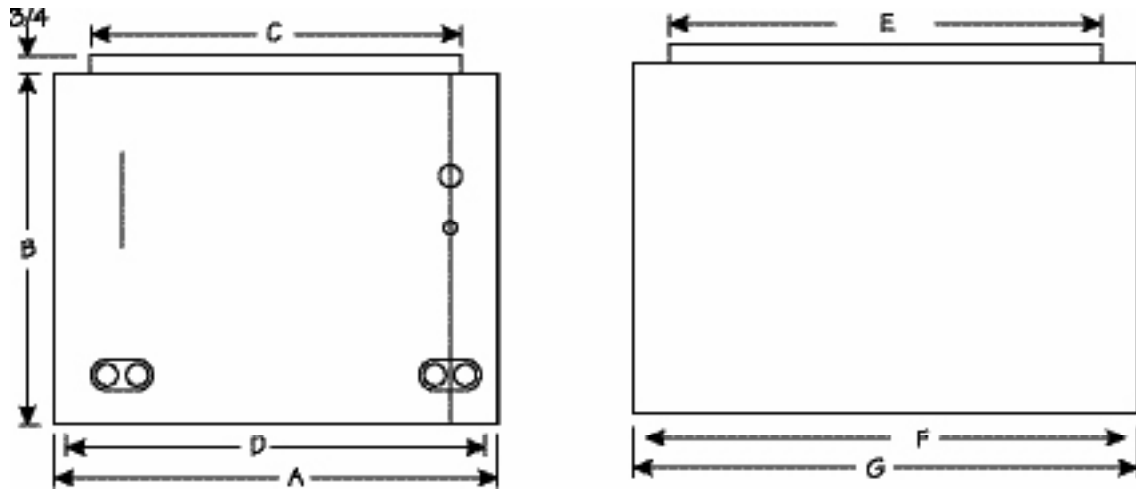
| Evaporator | Wet Coil Pressure Drop CFM | | | | | | | | | |
|-------------|----------------------------|-----|------|------|------|------|------|------|------|------|
| | 600 | 800 | 1000 | 1200 | 1400 | 1600 | 1800 | 2000 | 2200 | 2400 |
| E**19A | .09 | .16 | .24 | -- | -- | -- | -- | -- | -- | -- |
| E**18A,B | .17 | .25 | .39 | .52 | -- | -- | -- | -- | -- | -- |
| E**23A | .10 | .18 | .26 | .36 | -- | -- | -- | -- | -- | -- |
| E**23B | .09 | .15 | .22 | .31 | -- | -- | -- | -- | -- | -- |
| E**24A,B | .12 | .21 | .30 | .43 | .55 | -- | -- | -- | -- | -- |
| E**29A | .08 | .13 | .20 | .28 | .37 | -- | -- | -- | -- | -- |
| E**29B | .06 | .11 | .16 | .23 | .31 | -- | -- | -- | -- | -- |
| E**30A | -- | .14 | .21 | .30 | .39 | .51 | -- | -- | -- | -- |
| E**30B,C | -- | .11 | .16 | .21 | .28 | .34 | -- | -- | -- | -- |
| E**36A | -- | .14 | .21 | .30 | .39 | .51 | -- | -- | -- | -- |
| E**36B | -- | .11 | .16 | .21 | .28 | .34 | -- | -- | -- | -- |
| E**36C | -- | .06 | .11 | .17 | .23 | .29 | -- | -- | -- | -- |
| E**43B | -- | -- | .13 | .18 | .24 | .31 | .40 | -- | -- | -- |
| E**43C | -- | -- | .09 | .12 | .16 | .20 | .24 | -- | -- | -- |
| E**48B | -- | -- | .13 | .18 | .24 | .31 | .40 | -- | -- | -- |
| E**48C | -- | -- | -- | .17 | .23 | .29 | .37 | .43 | -- | -- |
| E**49C | -- | -- | -- | .12 | .17 | .22 | .28 | .35 | -- | -- |
| E**50C | -- | -- | -- | .17 | .23 | .29 | .37 | .43 | -- | -- |
| E**60D | -- | -- | -- | -- | .15 | .18 | .21 | .27 | .32 | .37 |
| E**62C | -- | -- | -- | -- | .19 | .23 | .28 | .34 | .40 | .46 |
| E**62D | -- | -- | -- | -- | .15 | .18 | .21 | .27 | .32 | .37 |
| EULIP30AN-1 | -- | .24 | .35 | .47 | .63 | .80 | -- | -- | -- | -- |
| EULIP30BN-1 | -- | .23 | .33 | .45 | .57 | .69 | -- | -- | -- | -- |
| EULIP36BN-1 | -- | .15 | .22 | .30 | .39 | .49 | -- | -- | -- | -- |
| EULIP36ZN-1 | -- | .15 | .22 | .29 | .39 | .51 | -- | -- | -- | -- |

DIMENSIONS - EC4X



| Model | A (in.) | B (in.) | C (in.) | D (in.) | E (in.) | F (in.) | G (in.) | Refrigerant Connections | | Weight (lbs.) |
|------------|---------|---------|---------|---------|---------|---------|---------|-------------------------|-------------|---------------|
| | | | | | | | | Liquid (in.) | Vapor (in.) | |
| EC4X23AG-1 | 14-1/2 | 18.5 | 13 | 13-1/2 | 20 | 21 | 21-1/2 | 3/8 | 3/4 | 39 |
| EC4X23BG-1 | 17-1/2 | 18.5 | 16 | 16-1/2 | 20 | 21 | 21-1/2 | 3/8 | 3/4 | 41 |
| EC4X24AG-1 | 14-1/2 | 20-1/2 | 13 | 13-1/2 | 20 | 21 | 21-1/2 | 3/8 | 3/4 | 37 |
| EC4X24BG-1 | 17-1/2 | 20-1/2 | 16 | 16-1/2 | 20 | 21 | 21-1/2 | 3/8 | 3/4 | 40 |
| EC4X29AG-1 | 14-1/2 | 22-1/2 | 13 | 13-1/2 | 20 | 21 | 21-1/2 | 3/8 | 3/4 | 49 |
| EC4X29BG-1 | 17-1/2 | 22-1/2 | 16 | 16-1/2 | 20 | 21 | 21-1/2 | 3/8 | 3/4 | 45 |
| EC4X30AG-1 | 14-1/2 | 24-1/2 | 13 | 13-1/2 | 20 | 21 | 21-1/2 | 3/8 | 3/4 | 50 |
| EC4X30BG-1 | 17-1/2 | 24-1/2 | 16 | 16-1/2 | 20 | 21 | 21-1/2 | 3/8 | 3/4 | 49 |
| EC4X30CG-1 | 21 | 24-1/2 | 19-1/2 | 20 | 20 | 21 | 21-1/2 | 3/8 | 3/4 | 51 |
| EC4X36AG-1 | 14-1/2 | 24-1/2 | 13 | 13-1/2 | 20 | 21 | 21-1/2 | 3/8 | 3/4 | 55 |
| EC4X36BG-1 | 17-1/2 | 24-1/2 | 16 | 16-1/2 | 20 | 21 | 21-1/2 | 3/8 | 3/4 | 57 |
| EC4X36CG-1 | 21 | 24-1/2 | 19-1/2 | 20 | 20 | 21 | 21-1/2 | 3/8 | 7/8 | 60 |
| EC4X43BG-1 | 17-1/2 | 27-1/2 | 16 | 16-1/2 | 20 | 21 | 21-1/2 | 3/8 | 7/8 | 63 |
| EC4X43CG-1 | 21 | 27-1/2 | 19-1/2 | 20 | 20 | 21 | 21-1/2 | 3/8 | 7/8 | 52 |
| EC4X48BG-1 | 17-1/2 | 24-1/2 | 16 | 16-1/2 | 20 | 21 | 21-1/2 | 3/8 | 7/8 | 55 |
| EC4X49CG-1 | 21 | 29-1/2 | 19-1/2 | 20 | 20-1/2 | 21-1/2 | 22 | 3/8 | 7/8 | 66 |
| EC4X50CG-1 | 21 | 27-1/2 | 19-1/2 | 20 | 20 | 21 | 21-1/2 | 3/8 | 7/8 | 66 |
| EC4X62CG-1 | 21 | 31-1/2 | 19-1/2 | 20 | 20-1/2 | 21-1/2 | 22 | 3/8 | 7/8 | 77 |
| EC4X62DG-1 | 24-1/2 | 29-1/2 | 23 | 23-1/2 | 20 | 21 | 21-1/2 | 3/8 | 7/8 | 78 |

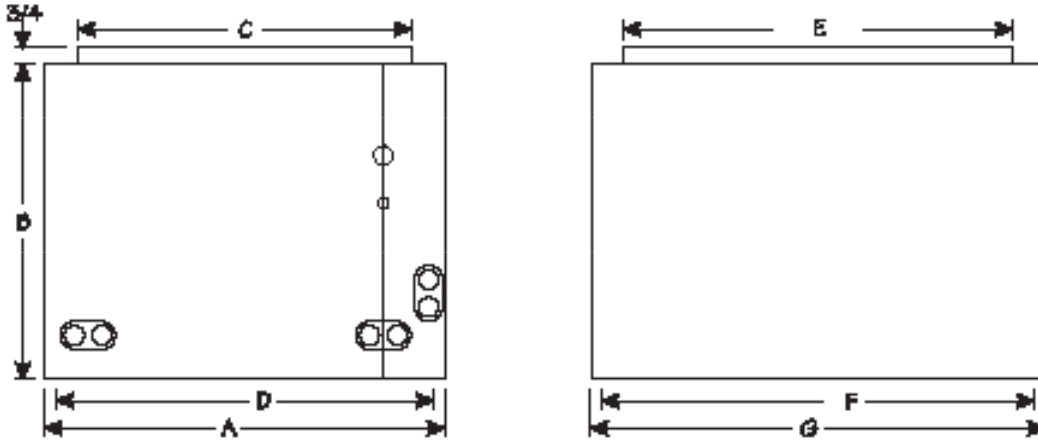
DIMENSIONS - CASED



| Model | A (in.) | B (in.) | C (in.) | D (in.) | E (in.) | F (in.) | G (in.) | Orifice | Refrigerant Connections | | Weight (lbs.) |
|----------|---------|---------|---------|---------|---------|---------|---------|---------|-------------------------|-------------|---------------|
| | | | | | | | | | Liquid (in.) | Vapor (in.) | |
| ECIP18A* | 14-1/2 | 16-1/2 | 13 | 13-1/2 | 18 | 20-1/2 | 21 | .051 | 3/8 | 3/4 | 31 |
| ECIP19A* | 14-1/2 | 16-1/2 | 13 | 13-1/2 | 18 | 20-1/2 | 21 | .051 | 3/8 | 3/4 | 35 |
| ECIP23A* | 14-1/2 | 18-1/2 | 13 | 13-1/2 | 18 | 20-1/2 | 21 | .057 | 3/8 | 3/4 | 39 |
| ECIP23B* | 17-1/2 | 18-1/2 | 16 | 16-1/2 | 18 | 20-1/2 | 21 | .057 | 3/8 | 3/4 | 41 |
| ECIP24A* | 14-1/2 | 20-1/2 | 13 | 13-1/2 | 18 | 20-1/2 | 21 | .057 | 3/8 | 3/4 | 37 |
| ECIP24B* | 17-1/2 | 20-1/2 | 16 | 16-1/2 | 18 | 20-1/2 | 21 | .062 | 3/8 | 3/4 | 40 |
| ECIP29A* | 14-1/2 | 25-1/2 | 13 | 13-1/2 | 18 | 20-1/2 | 21 | .065 | 3/8 | 3/4 | 47 |
| ECIP29B* | 17-1/2 | 25-1/2 | 16 | 16-1/2 | 18 | 20-1/2 | 21 | .065 | 3/8 | 3/4 | 49 |
| ECIP30A* | 14-1/2 | 24-1/2 | 13 | 13-1/2 | 18 | 20-1/2 | 21 | .065 | 3/8 | 3/4 | 45 |
| ECIP30B* | 17-1/2 | 24-1/2 | 16 | 16-1/2 | 18 | 20-1/2 | 21 | .065 | 3/8 | 3/4 | 46 |
| ECIP30C* | 21 | 24-1/2 | 19-1/2 | 20 | 18 | 20-1/2 | 21 | .070 | 3/8 | 3/4 | 50 |
| ECIP36A* | 14-1/2 | 24-1/2 | 13 | 13-1/2 | 18 | 20-1/2 | 21 | .073 | 3/8 | 3/4 | 49 |
| ECIP36B* | 17-1/2 | 24-1/2 | 16 | 16-1/2 | 18 | 20-1/2 | 21 | .073 | 3/8 | 3/4 | 51 |
| ECIP36C* | 21 | 24-1/2 | 19-1/2 | 20 | 18 | 20-1/2 | 21 | .073 | 3/8 | 3/4 | 55 |
| ECIP36D* | 24-1/2 | 24-1/2 | 23 | 23-1/2 | 18 | 20-1/2 | 21 | .076 | 3/8 | 3/4 | 57 |
| ECIP43B* | 17-1/2 | 29-1/2 | 16 | 16-1/2 | 18 | 20-1/2 | 21 | .076 | 3/8 | 7/8 | 60 |
| ECIP43C* | 21 | 29-1/2 | 19-1/2 | 20 | 18 | 20-1/2 | 21 | .076 | 3/8 | 7/8 | 63 |
| ECIP48B* | 17-1/2 | 24-1/2 | 16 | 16-1/2 | 18 | 20-1/2 | 21 | .082 | 3/8 | 7/8 | 52 |
| ECIP48C* | 21 | 24-1/2 | 19-1/2 | 20 | 18 | 20-1/2 | 21 | .082 | 3/8 | 7/8 | 55 |
| ECIP49C* | 21 | 29-1/2 | 19-1/2 | 20 | 19 | 21-1/2 | 22 | .093 | 3/8 | 7/8 | 72 |
| ECIP50C* | 21 | 27-1/2 | 19-1/2 | 20 | 18 | 20-1/2 | 21 | .082 | 3/8 | 7/8 | 66 |
| ECIP60D* | 24-1/2 | 25-1/2 | 23 | 23-1/2 | 18 | 20-1/2 | 21 | .093 | 3/8 | 7/8 | 66 |
| ECIP62C* | 21 | 31-1/2 | 19-1/2 | 20 | 19 | 21-1/2 | 22 | .093 | 3/8 | 7/8 | 76 |
| ECIP62D* | 24-1/2 | 29-1/2 | 23 | 23-1/2 | 18 | 20-1/2 | 21 | .093 | 3/8 | 7/8 | 77 |

* = G, M, or L

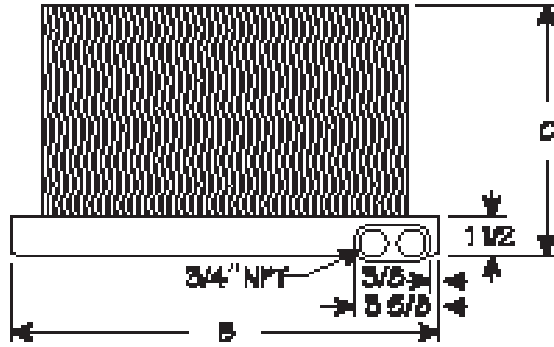
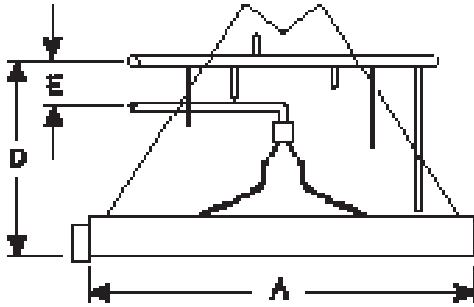
DIMENSIONS - MULTI-POSITION



| Model | A (in.) | B (in.) | C (in.) | D (in.) | E (in.) | F (in.) | G (in.) | Orifice | Refrigerant Connections | | Weight (lbs.) |
|----------|---------|---------|---------|---------|---------|---------|---------|---------|-------------------------|-------------|---------------|
| | | | | | | | | | Liquid (in.) | Vapor (in.) | |
| EMIP18A* | 14-1/2 | 25-1/2 | 13 | 13-1/2 | 19-1/2 | 20-1/2 | 21 | .051 | 3/8 | 3/4 | 45 |
| EMIP19A* | 14-1/2 | 25-1/2 | 13 | 13-1/2 | 19-1/2 | 20-1/2 | 21 | .051 | 3/8 | 3/4 | 33 |
| EMIP23A* | 14-1/2 | 25-1/2 | 13 | 13-1/2 | 19-1/2 | 20-1/2 | 21 | .057 | 3/8 | 3/4 | 40 |
| EMIP23B* | 17-1/2 | 25-1/2 | 16 | 16-1/2 | 19-1/2 | 20-1/2 | 21 | .057 | 3/8 | 3/4 | 40 |
| EMIP24A* | 14-1/2 | 25-1/2 | 13 | 13-1/2 | 19-1/2 | 20-1/2 | 21 | .057 | 3/8 | 3/4 | 42 |
| EMIP24B* | 17-1/2 | 25-1/2 | 16 | 16-1/2 | 19-1/2 | 20-1/2 | 21 | .057 | 3/8 | 3/4 | 42 |
| EMIP29A* | 14-1/2 | 25-1/2 | 13 | 13-1/2 | 19-1/2 | 20-1/2 | 21 | .065 | 3/8 | 3/4 | 40 |
| EMIP29B* | 17-1/2 | 25-1/2 | 16 | 16-1/2 | 19-1/2 | 20-1/2 | 21 | .065 | 3/8 | 3/4 | 41 |
| EMIP30A* | 14-1/2 | 25-1/2 | 13 | 13-1/2 | 19-1/2 | 20-1/2 | 21 | .065 | 3/8 | 3/4 | 42 |
| EMIP30B* | 17-1/2 | 25-1/2 | 16 | 16-1/2 | 19-1/2 | 20-1/2 | 21 | .065 | 3/8 | 3/4 | 42 |
| EMIP36A* | 14-1/2 | 25-1/2 | 13 | 13-1/2 | 19-1/2 | 20-1/2 | 21 | .073 | 3/8 | 3/4 | 57 |
| EMIP36B* | 17-1/2 | 25-1/2 | 16 | 16-1/2 | 19-1/2 | 20-1/2 | 21 | .073 | 3/8 | 3/4 | 57 |
| EMIP36C* | 21 | 25-1/2 | 19-1/2 | 20 | 19-1/2 | 20-1/2 | 21 | .073 | 3/8 | 7/8 | 57 |
| EMIP43B* | 17-1/2 | 27-1/2 | 16 | 16-1/2 | 19-1/2 | 20-1/2 | 21 | .076 | 3/8 | 7/8 | 45 |
| EMIP43C* | 21 | 27-1/2 | 19-1/2 | 20 | 19-1/2 | 20-1/2 | 21 | .076 | 3/8 | 7/8 | 45 |
| EMIP48B* | 17-1/2 | 25-1/2 | 16 | 16-1/2 | 19-1/2 | 20-1/2 | 21 | .082 | 3/8 | 7/8 | 48 |
| EMIP48C* | 21 | 25-1/2 | 19-1/2 | 20 | 19-1/2 | 20-1/2 | 21 | .082 | 3/8 | 7/8 | 48 |
| EMIP50C* | 21 | 27-1/2 | 19-1/2 | 20 | 19-1/2 | 20-1/2 | 21 | .082 | 3/8 | 7/8 | 77 |

* = G, M, or L

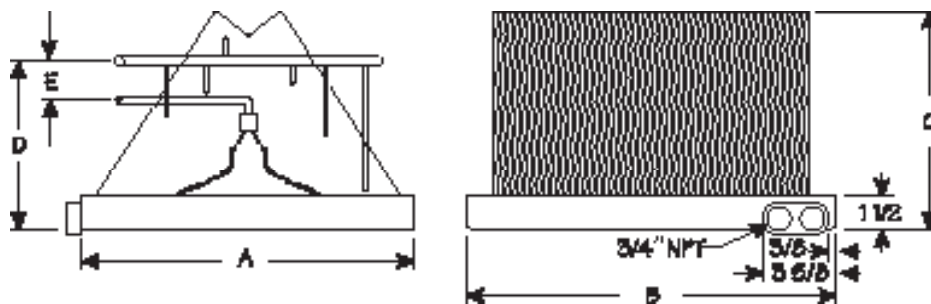
DIMENSIONS - UNCASSED



| Model | A (in.) | B (in.) | C (in.) | D (in.) | E (in.) | Orifice | Refrigerant Connections | | Weight (lbs.) |
|-----------|---------|---------|---------|---------|---------|---------|-------------------------|-------------|---------------|
| | | | | | | | Liquid (in.) | Vapor (in.) | |
| EUIP18AN | 13 | 19-1/2 | 15 | 9-1/2 | 4-1/2 | .051 | 3/8 | 3/4 | 18 |
| EUIP19AN | 13 | 19-1/2 | 15-1/8 | 9-1/2 | 4-1/2 | .051 | 3/8 | 3/4 | 19 |
| EUIP23AN | 13 | 19-1/2 | 17-3/16 | 12-1/2 | 4-1/2 | .057 | 3/8 | 3/4 | 22 |
| EUIP23BN | 15-1/2 | 19-1/2 | 16-7/8 | 15-3/4 | 4-1/2 | .057 | 3/8 | 3/4 | 22 |
| EUIP24AN | 13 | 19-1/2 | 19-3/16 | 14-1/2 | 6 | .057 | 3/8 | 3/4 | 22 |
| EUIP24BN | 15-1/2 | 19-1/2 | 18-3/4 | 14-1/2 | 6 | .057 | 3/8 | 3/4 | 23 |
| EUIP29AN | 13 | 19-1/2 | 21-1/4 | 17-1/4 | 6-1/2 | .065 | 3/8 | 3/4 | 24 |
| EUIP29BN | 15-1/2 | 19-1/2 | 21-1/4 | 17-1/4 | 6-1/2 | .065 | 3/8 | 3/4 | 25 |
| EUIP30AN | 13 | 19-1/2 | 23-1/4 | 17-1/4 | 6-1/2 | .065 | 3/8 | 3/4 | 26 |
| EUIP30BN | 15-1/2 | 19-1/2 | 23 | 17-1/4 | 6-1/2 | .065 | 3/8 | 3/4 | 27 |
| EUIP30CN | 20 | 19-1/2 | 22-1/4 | 17-1/4 | 6-1/2 | .065 | 3/8 | 3/4 | 29 |
| EUIP36AN | 13 | 19-1/2 | 23-3/8 | 17-1/4 | 6-1/2 | .073 | 3/8 | 3/4 | 31 |
| EUIP36BN | 15-1/2 | 19-1/2 | 23-1/8 | 17-1/4 | 6-1/2 | .073 | 3/8 | 3/4 | 33 |
| EUIP36CN | 20 | 19-1/2 | 22-1/2 | 17-1/4 | 4-1/2 | .073 | 3/8 | 3/4 | 34 |
| EUIP43BN | 15-1/2 | 19-1/2 | 27-1/4 | 23-1/4 | 5-1/2 | .076 | 3/8 | 7/8 | 43 |
| EUIP43CN | 20 | 19-1/2 | 26-3/4 | 23-1/4 | 5-1/2 | .076 | 3/8 | 7/8 | 44 |
| EUIP48BN | 15-1/2 | 19-1/2 | 23-1/8 | 9-1/4 | 4-1/2 | .082 | 3/8 | 7/8 | 33 |
| EUIP48CN | 20 | 19-1/2 | 22-1/2 | 9-1/4 | 4-1/2 | .082 | 3/8 | 7/8 | 35 |
| EUIP49CN | 19-1/2 | 21-1/2 | 28-5/8 | 15 | *3 | .093 | 3/8 | 7/8 | 53 |
| EUL1P30AN | 13 | 19-1/2 | 13 | 9.50 | 4 | .065 | 3/8 | 3/4 | 20 |
| EUL1P30BN | 15-1/2 | 19-1/2 | 13 | 9.50 | 4 | .065 | 3/8 | 3/4 | 21 |
| EUL1P36BN | 15-1/2 | 19-1/2 | 17 | 12.00 | 6 | .076 | 3/8 | 3/4 | 26 |
| EUL1P36ZN | 17 | 19-1/2 | 17 | 12.50 | 6 | .076 | 3/8 | 3/4 | 27 |

* Suction line is above liquid line.
 Dimensions - Uncased continued on next page

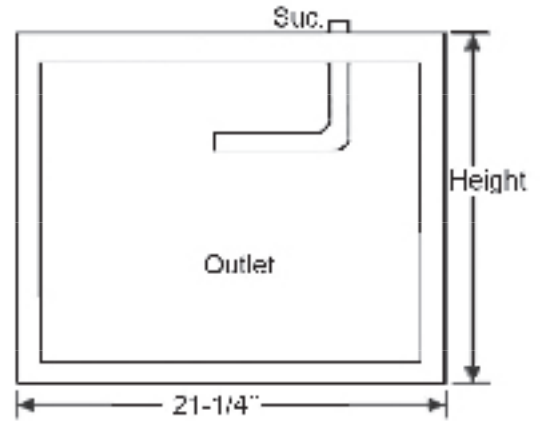
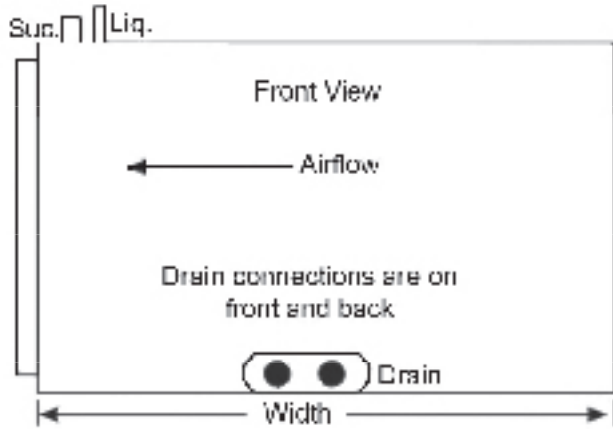
DIMENSIONS - UNCASSED (CONTINUED)



| Model | A (in.) | B (in.) | C (in.) | D (in.) | E (in.) | Orifice | Refrigerant Connections | | Weight (lbs.) |
|----------|------------|------------|------------|------------|------------|---------|-------------------------|----------------|------------------|
| | | | | | | | Liquid (in.) | Vapor (in.) | |
| EU1P50CN | 20 | 19-1/2 | 26-3/4 | 23-1/4 | 5-1/2 | .082 | 3/8 | 7/8 | 40 |
| EU1P59DN | 25-1/8 | 20 | 24-1/2 | 16-3/4 | 5 | .090 | 3/8 | 7/8 | 49 |
| EU1P60DN | 23 | 19-1/2 | 24 | 11-3/8 | *3 | .093 | 3/8 | 7/8 | 42 |
| EU1P62CN | 19-1/2 | 21-1/2 | 30-5/8 | 18-1/8 | *3 | .093 | 3/8 | 7/8 | 58 |
| EU1P62DN | 23 | 19-1/2 | 28-1/8 | 18-1/4 | 4-5/8 | .093 | 3/8 | 7/8 | 48 |

* Liquid line is located above suction line.

DIMENSIONS - HORIZONTAL



| Model | Height | Width | Supply | | Return | | Weight (lbs.) | Orifice | Liquid | Vapor |
|----------|--------|--------|--------|--------|--------|--------|---------------|---------|--------|-------|
| | | | Height | Width | Height | Width | | | | |
| EHIP23AM | 14-1/2 | 26-1/2 | 13 | 19-3/4 | 13-1/2 | 20 | 38 | .051 | 3/8 | 7/8 |
| EHIP23BM | 17-1/2 | 26-1/2 | 16 | 19-3/4 | 16-1/2 | 20 | 50 | .051 | 3/8 | 7/8 |
| EHIP29AM | 14-1/2 | 31-1/2 | 13 | 19-3/4 | 13-1/2 | 20-1/4 | 56 | .065 | 3/8 | 7/8 |
| EHIP29BM | 17-1/2 | 26-1/2 | 16 | 19-3/4 | 16-1/2 | 20 | 45 | .065 | 3/8 | 7/8 |
| EHIP36BM | 17-1/2 | 26-1/2 | 16 | 19-3/4 | 16-1/2 | 20 | 56 | .073 | 3/8 | 7/8 |
| EHIP36CM | 21 | 26-1/2 | 19-1/2 | 19-3/4 | 20 | 20 | 64 | .073 | 3/8 | 7/8 |
| EHIP43BM | 17-1/2 | 31-1/2 | 16 | 19-3/4 | 16-1/2 | 20-1/4 | 52 | .076 | 3/8 | 7/8 |
| EHIP43CM | 21 | 26-1/2 | 19-1/2 | 19-3/4 | 20 | 20 | 56 | .076 | 3/8 | 7/8 |
| EHIP49CM | 21 | 31-1/2 | 19-1/2 | 19-3/4 | 20 | 20-1/4 | 58 | .093 | 3/8 | 7/8 |
| EHIP49DM | 24-1/2 | 31-1/2 | 23 | 19-3/4 | 23-1/2 | 20-1/4 | 66 | .090 | 3/8 | 7/8 |
| EHIP62CM | 21 | 31-1/2 | 19-1/2 | 19-3/4 | 20 | 20-1/4 | 63 | .093 | 3/8 | 7/8 |
| EHIP62DM | 24-1/2 | 31-1/2 | 23 | 19-3/4 | 23-1/2 | 20-1/4 | 63 | .093 | 3/8 | 7/8 |



1-800-448-5872

All specifications and illustrations subject to change without notice and without incurring obligations.