

4AC14

PRODUCT SPECIFICATIONS

14 SEER SPLIT SYSTEM AIR CONDITIONER

FORM NO. 4AC14-100 (06/2015)



- R410A Refrigerant
- High-quality condenser coil with copper tubing and enhanced lanced fin for maximum heat transfer capacity
- Top discharge directs hot air and sound away from living area and shrubbery
- All units factory run tested
- Easy access to electrical panels, pre-wired for easy hook-up
- Liquid line drier shipped loose
- All units ETL and ETL approved and AHRI Certified
- Charged for 15 feet of interconnecting tubing
- High pressure switch factory installed

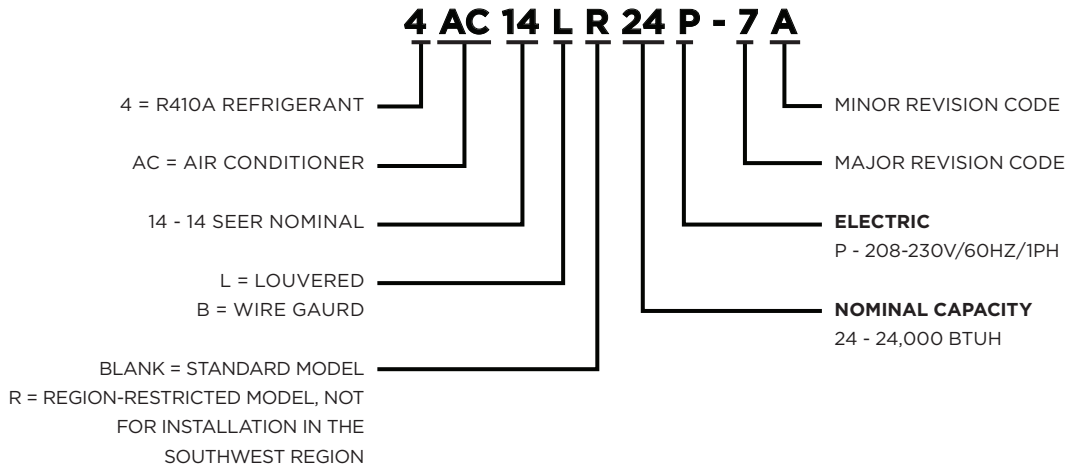
WARRANTY

10 year limited warranty on compressor, 10 year limited warranty on all parts, extended warranty available*

**Warranty provides for a total of 10 years of limited warranty coverage (Standard 5-year limited parts warranty plus an additional 5-year limited extended parts warranty). Warranty must be registered online within 60 days of installation to qualify for 10-year coverage. Unregistered equipment defaults to 5-year coverage. Lifetime limited heat exchanger warranty applies to registered equipment only (Standard 20 years with no online registration). See full warranty at www.alliedair.com for terms, conditions and exclusions.*



MODEL NUMBER GUIDE



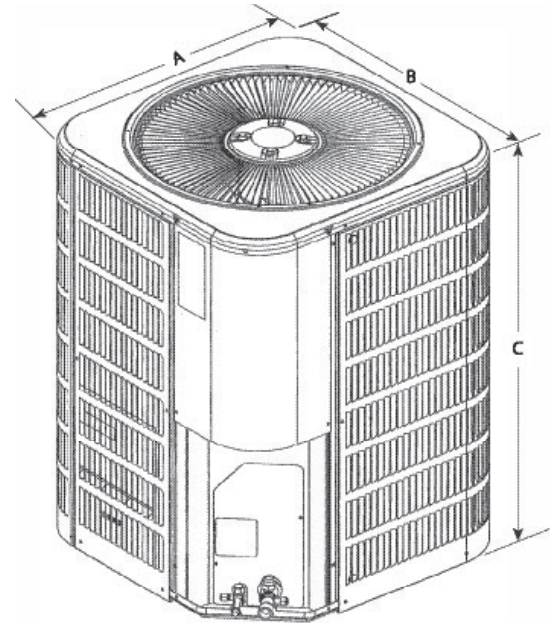
PHYSICAL AND ELECTRICAL DATA

| Model | Volts/Hz/Phase | Voltage Range | Min. Circuit Amp. | Max. Over-current Device (amps) | Compressor | | Outdoor Fan Motor | | | Refrig. Charge (oz.) | Shipping Weight (lbs.) |
|-----------------|----------------|---------------|-------------------|---------------------------------|-------------------|---------------------|-------------------|----------|----------|----------------------|------------------------|
| | | | | | Rated Load (amps) | Locked Rotor (amps) | Rated Load (amps) | Rated HP | Nom. RPM | | |
| 4AC14*18P-6, 7 | 208-230/60/1 | 197-253 | 12.4 | 20 | 9.4 | 56.6 | 0.7 | 1/10 | 1075 | 77 | 150 |
| 4AC14*R18P-6, 7 | | | | | | | | | | | |
| 4AC14*24P-6, 7 | 208-230/60/1 | 197-253 | 15.0 | 25 | 11.2 | 60.8 | 1.0 | 1/6 | 825 | 86 | 160 |
| 4AC14*R24P-6, 7 | | | | | | | | | | | |
| 4AC14*30P-6, 7 | 208-230/60/1 | 197-253 | 17.0 | 25 | 12.8 | 67.8 | 1.0 | 1/6 | 825 | 100 | 180 |
| 4AC14*R30P-6, 7 | | | | | | | | | | | |
| 4AC14*36P-6, 7 | 208-230/60/1 | 197-253 | 18.6 | 30 | 14.1 | 83 | 1.0 | 1/6 | 825 | 102 | 185 |
| 4AC14*R36P-6, 7 | | | | | | | | | | | |
| 4AC14L41P-6, 7 | 208-230/60/1 | 197-253 | 22.6 | 35 | 16.7 | 79 | 1.7 | 1/4 | 825 | 161 | 210 |
| 4AC14*42P-6, 7 | | | | | | | | | | | |
| 4AC14*R42P-6, 7 | 208-230/60/1 | 197-253 | 24.1 | 40 | 17.9 | 113 | 1.7 | 1/4 | 825 | 160 | 208 |
| 4AC14L47P-6, 7 | | | | | | | | | | | |
| 4AC14*48P-6, 7 | 208-230/60/1 | 197-253 | 26.7 | 45 | 19.9 | 109 | 1.8 | 1/3 | 825 | 179 | 251 |
| 4AC14L59P-6, 7 | | | | | | | | | | | |
| 4AC14*48P-6, 7 | 208-230/60/1 | 197-253 | 26.6 | 45 | 19.8 | 109 | 1.7 | 1/4 | 825 | 174 | 220 |
| 4AC14L59P-6, 7 | | | | | | | | | | | |
| 4AC14L59P-6, 7 | 208-230/60/1 | 197-253 | 34.1 | 50 | 25.0 | 134 | 2.8 | 1/3 | 825 | 178 | 235 |
| 4AC14*60P-6, 7 | | | | | | | | | | | |
| 4AC14*60P-6, 7 | 208-230/60/1 | 197-253 | 34.8 | 60 | 26.4 | 134 | 1.8 | 1/3 | 825 | 192 | 253 |
| 4AC14*60P-6, 7 | | | | | | | | | | | |

Note:
Weights listed are unit weights with packaging
+ Factory charged for 15 feet of line set. Adjust per installation instructions.

UNIT DIMENSIONS & SOUND RATINGS

| Model | Dimensions (inch) | | | Sound Rating (dBA) |
|-----------------|-------------------|-----------|------------|--------------------|
| | A - Width | B - Depth | C - Height | |
| 4AC14*18P-6, 7 | 24.25 | 24.25 | 29 | 71 |
| 4AC14*R18P-6, 7 | | | | |
| 4AC14*24P-6, 7 | 28.25 | 28.25 | 29 | 76 |
| 4AC14*R24P-6, 7 | | | | |
| 4AC14*30P-6, 7 | 28.25 | 28.25 | 37 | 74 |
| 4AC14*R30P-6, 7 | | | | |
| 4AC14*36P-6, 7 | 28.25 | 28.25 | 37 | 74 |
| 4AC14*R36P-6, 7 | | | | |
| 4AC14L41P-6, 7 | 28.25 | 28.25 | 37 | 76 |
| 4AC14*42P-6, 7 | | | | |
| 4AC14*R42P-6, 7 | 28.25 | 28.25 | 33 | 76 |
| 4AC14L47P-6, 7 | | | | |
| 4AC14*48P-6, 7 | 28.25 | 28.25 | 33 | 80 |
| 4AC14L59P-6, 7 | | | | |
| 4AC14*60P-6, 7 | 32.25 | 32.25 | 37 | 78 |
| 4AC14L60P-6, 7 | | | | |



Note:
 Dimensions listed are unit sizes w/o packaging
 * Denotes: "L", "B"

COOLING PERFORMANCE WITH EVAPORATOR COILS AC'S

| Outdoor Model | Indoor Model | SEER | EER | AHRI Rated Capacity ¹ BTUH | Sensible Capacity BTUH | CFM | Refrigerant Connection | | | | Refrigerant Line Size | | Indoor Expansion Device | |
|-----------------|--------------|-------|-------|---------------------------------------|------------------------|------|------------------------|--------|---------|--------|-----------------------|---------|-------------------------|---------|
| | | | | | | | Outdoor | | Indoor | | Suction | Liquid | Piston ² | TXV |
| | | | | | | | Suction | Liquid | Suction | Liquid | | | | |
| 4AC14*18P-6,-7 | E*1P23A | 14.00 | 12.20 | 18000 | 13000 | 650 | 3/4 | 3/8 | 3/4 | 3/8 | 3/4 | 3/8 | 0.053 | A4TXV01 |
| | E*1P29A | 14.00 | 12.20 | 18000 | | 650 | 3/4 | 3/8 | 3/4 | 3/8 | 3/4 | 3/8 | 0.053 | A4TXV01 |
| | E*1P36A | 14.00 | 12.20 | 18000 | | 650 | 3/4 | 3/8 | 3/4 | 3/8 | 3/4 | 3/8 | 0.053 | A4TXV01 |
| 4AC14*R18P-6,-7 | E*1P23A | 14.00 | 12.20 | 18000 | | 650 | 3/4 | 3/8 | 3/4 | 3/8 | 3/4 | 3/8 | 0.053 | A4TXV01 |
| | E*1P29A | 14.00 | 12.20 | 18000 | | 650 | 3/4 | 3/8 | 3/4 | 3/8 | 3/4 | 3/8 | 0.053 | A4TXV01 |
| | E*1P36A | 14.00 | 12.20 | 18000 | | 650 | 3/4 | 3/8 | 3/4 | 3/8 | 3/4 | 3/8 | 0.053 | A4TXV01 |
| 4AC14*24P-6,-7 | E*1P23A | 14.00 | 12.20 | 23000 | 17000 | 850 | 3/4 | 3/8 | 3/4 | 3/8 | 3/4 | 3/8 | 0.057 | A4TXV01 |
| | E*1P29A | 14.00 | 12.20 | 23000 | | 850 | 3/4 | 3/8 | 3/4 | 3/8 | 3/4 | 3/8 | 0.057 | A4TXV01 |
| | E*1P36A | 14.00 | 12.20 | 23000 | | 850 | 3/4 | 3/8 | 3/4 | 3/8 | 3/4 | 3/8 | 0.057 | A4TXV01 |
| 4AC14*R24P-6,-7 | E*1P23A | 14.00 | 12.20 | 23000 | | 850 | 3/4 | 3/8 | 3/4 | 3/8 | 3/4 | 3/8 | 0.057 | A4TXV01 |
| | E*1P29A | 14.00 | 12.20 | 23000 | | 850 | 3/4 | 3/8 | 3/4 | 3/8 | 3/4 | 3/8 | 0.057 | A4TXV01 |
| | E*1P30A | 14.00 | 11.50 | 23000 | | 850 | 3/4 | 3/8 | 3/4 | 3/8 | 3/4 | 3/8 | 0.057 | A4TXV01 |
| E*1P36A | 14.00 | 12.20 | 23000 | 850 | 3/4 | 3/8 | 3/4 | 3/8 | 3/4 | 3/8 | 0.057 | A4TXV01 | | |
| 4AC14*30P-6,-7 | E*1P36B | 14.00 | 12.20 | 28000 | 21000 | 1000 | 3/4 | 3/8 | 3/4 | 3/8 | 3/4 | 3/8 | 0.065 | A4TXV01 |
| 4AC14*R30P-6,-7 | E*1P36B | 14.00 | 12.20 | 28000 | | 1000 | 3/4 | 3/8 | 3/4 | 3/8 | 3/4 | 3/8 | 0.065 | A4TXV01 |
| 4AC14*36P-6,-7 | E*1P36B | 14.00 | 12.20 | 34000 | 25500 | 1200 | 7/8 | 3/8 | 7/8 | 3/8 | 7/8 | 3/8 | 0.071 | A4TXV01 |
| | E*1P43B | 14.00 | 12.20 | 34000 | | 1200 | 7/8 | 3/8 | 7/8 | 3/8 | 7/8 | 3/8 | 0.071 | A4TXV01 |
| 4AC14*R36P-6,-7 | E*1P36B | 14.00 | 12.20 | 34000 | | 1200 | 7/8 | 3/8 | 7/8 | 3/8 | 7/8 | 3/8 | 0.071 | A4TXV01 |
| | E*1P43B | 14.00 | 12.20 | 34000 | | 1200 | 7/8 | 3/8 | 7/8 | 3/8 | 7/8 | 3/8 | 0.071 | A4TXV01 |
| 4AC14L41P-6,-7 | E*1P49C | 14.00 | 12.20 | 38000 | 28000 | 1400 | 7/8 | 3/8 | 7/8 | 3/8 | 7/8 | 3/8 | | A4TXV02 |
| | E*1P62C | 14.00 | 12.20 | 38000 | | 1400 | 7/8 | 3/8 | 7/8 | 3/8 | 7/8 | 3/8 | | A4TXV02 |
| 4AC14*42P-6,-7 | E*1P49C | 14.00 | 12.20 | 40000 | 30000 | 1400 | 7/8 | 3/8 | 7/8 | 3/8 | 7/8 | 3/8 | | A4TXV02 |
| | E*1P62C | 14.00 | 12.20 | 40000 | | 1400 | 7/8 | 3/8 | 7/8 | 3/8 | 7/8 | 3/8 | | A4TXV02 |

COOLING PERFORMANCE WITH EVAPORATOR COILS AC'S

| Outdoor Model | Indoor Model | SEER | EER | AHRI Rated Capacity ¹ BTUH | Sensible Capacity BTUH | CFM | Refrigerant Connection | | | | Refrigerant Line Size | | Indoor Expansion Device | |
|-----------------|-------------------------|-------|-------|---------------------------------------|------------------------|------|------------------------|--------|---------|--------|-----------------------|--------|-------------------------|---------|
| | Evap. Coil ³ | | | | | | Outdoor | | Indoor | | Suction | Liquid | Piston ² | TXV |
| | | | | | | | Suction | Liquid | Suction | Liquid | | | | |
| 4AC14*R42P-6,-7 | E*1P43C | 14.00 | 12.00 | 40000 | 30000 | 1400 | 7/8 | 3/8 | 7/8 | 3/8 | 7/8 | 3/8 | | A4TXV02 |
| | E*1P49C | 14.00 | 12.20 | 40000 | | 1400 | 7/8 | 3/8 | 7/8 | 3/8 | 7/8 | 3/8 | | A4TXV02 |
| | E*1P62C | 14.00 | 12.20 | 40000 | | 1400 | 7/8 | 3/8 | 7/8 | 3/8 | 7/8 | 3/8 | | A4TXV02 |
| 4AC14L47P-6,-7 | E*1P49C | 14.00 | 11.70 | 46000 | 35000 | 1600 | 7/8 | 3/8 | 7/8 | 3/8 | 7/8 | 3/8 | | A4TXV02 |
| | E*1P62C | 14.00 | 11.70 | 46000 | | 1600 | 7/8 | 3/8 | 7/8 | 3/8 | 7/8 | 3/8 | | A4TXV02 |
| | E*1P62D | 14.00 | 11.70 | 46000 | | 1600 | 7/8 | 3/8 | 7/8 | 3/8 | 7/8 | 3/8 | | A4TXV02 |
| 4AC14*48P-6,-7 | E*1P49C | 14.00 | 12.00 | 46500 | 34500 | 1600 | 7/8 | 3/8 | 7/8 | 3/8 | 7/8 | 3/8 | | A4TXV02 |
| | E*1P62C | 14.00 | 12.00 | 46500 | | 1600 | 7/8 | 3/8 | 7/8 | 3/8 | 7/8 | 3/8 | | A4TXV02 |
| | E*1P62D | 14.00 | 12.00 | 46500 | | 1600 | 7/8 | 3/8 | 7/8 | 3/8 | 7/8 | 3/8 | | A4TXV02 |
| 4AC14L59P-6,-7 | E*1P62C | 14.00 | 12.00 | 58000 | 41500 | 1800 | 1 1/8 | 3/8 | 7/8 | 3/8 | 1 1/8 | 3/8 | | A4TXV02 |
| | E*1P62D | 14.00 | 12.00 | 58000 | | 1800 | 1 1/8 | 3/8 | 7/8 | 3/8 | 1 1/8 | 3/8 | | A4TXV02 |
| 4AC14*60P-6,-7 | E*1P62C | 14.00 | 12.00 | 58000 | 42000 | 1800 | 1 1/8 | 3/8 | 7/8 | 3/8 | 1 1/8 | 3/8 | | A4TXV02 |

Note:

¹ Certified in accordance with Unitary Air Conditioner Certification Program, which is based on AHRI Standard 210/240

² Required to achieve AHRI rating. If NA (Not Applicable) is in the piston column, then TXV is required.

³ A blower time delay relay is required to achieve AHRI rating. This feature is standard on all Allied Air Enterprises furnace and AH products.

COOLING PERFORMANCE WITH AIR HANDLERS AND FURNACES

| Outdoor Model | Indoor Model | Variable Speed Furnace | SEER | EER | AHRI Rated Capacity ¹ BTUH | Sensible Capacity BTUH | CFM |
|----------------|-------------------------|------------------------|-------|-------|---------------------------------------|------------------------|-----|
| | Evap. Coil ³ | | | | | | |
| 4AC14*18P-6,-7 | BC*3M18C****P | | 14.00 | 12.20 | 18000 | 13000 | 650 |
| | BC*3M24E****X | | 15.10 | 13.00 | 18000 | | 650 |
| | BCS2M24V****P | | 16.00 | 13.00 | 18000 | | 650 |
| | E*1P23A | 80G1DF045AE12 | 15.10 | 13.00 | 18000 | | 650 |
| | E*1P23A | 80G1UH045AE12 | 15.10 | 13.00 | 18000 | | 650 |
| | E*1P23A | 80G2UH070AV12 | 16.00 | 13.00 | 18000 | | 650 |
| | E*1P23B | 80G2UH090BV16 | 16.00 | 13.00 | 18000 | | 620 |
| | E*1P23B | 95G1DF045BE12 | 15.10 | 13.00 | 18000 | | 650 |
| | E*1P23B | 95G1DF070BE16 | 15.10 | 13.00 | 18000 | | 625 |
| | E*1P23B | 95G1UH045BE12 | 15.10 | 13.00 | 18000 | | 620 |
| | E*1P23B | 95G1UH070BE12 | 15.10 | 13.00 | 18000 | | 650 |
| | E*1P23B | 95G2DF045BE12 | 15.10 | 13.00 | 18000 | | 650 |
| | E*1P23B | 95G2DF070BE16 | 15.10 | 13.00 | 18000 | | 620 |
| | E*1P23B | 95G2UH045BE12 | 15.10 | 13.00 | 18000 | | 620 |
| | E*1P23B | 95G2UH070BE12 | 15.10 | 13.00 | 18000 | | 650 |
| | E*1P23B | 95G2DF045BV12 | 16.00 | 13.00 | 18000 | | 650 |
| | E*1P23B | 95G2DF070BV16 | 15.10 | 13.00 | 18000 | | 650 |
| | E*1P23B | 95G2UH045BV12 | 15.10 | 13.00 | 18000 | | 650 |
| | E*1P23B | 95G2UH070BV12 | 16.00 | 13.00 | 18000 | | 650 |
| | E*1P23B | 80G1UH070BE12 | 15.10 | 13.00 | 18000 | | 650 |
| | E*1P23B | 80G1DF070BE12 | 15.10 | 13.00 | 18000 | | 650 |
| | E*1P23B | EFV08BC | 15.10 | 13.00 | 18000 | | 650 |
| | E*1P24A | 80G2UH070AV12 | 15.10 | 13.00 | 18000 | | 650 |
| | E*1P24A | 80G1DF045AE12 | 15.10 | 13.00 | 18000 | | 650 |
| | E*1P24A | 80G1UH045AE12 | 15.10 | 13.00 | 18000 | | 650 |
| | E*1P24B | 80G1UH070BE12 | 15.10 | 13.00 | 18000 | | 620 |
| | E*1P24B | 80G1DF070BE12 | 14.50 | 12.20 | 18000 | | 650 |
| | E*1P24B | 80G2UH090BV16 | 15.10 | 13.00 | 18000 | | 620 |
| | E*1P24B | 95G1DF045BE12 | 15.10 | 13.00 | 18000 | | 650 |
| | E*1P24B | 95G1DF070BE16 | 14.50 | 12.20 | 18000 | | 620 |
| | E*1P24B | 95G1UH045BE12 | 15.10 | 13.00 | 18000 | | 620 |
| | E*1P24B | 95G1UH070BE12 | 14.50 | 12.20 | 18000 | | 650 |
| | E*1P24B | 95G2DF045BE12 | 15.10 | 13.00 | 18000 | | 650 |
| | E*1P24B | 95G2DF070BE16 | 14.50 | 12.20 | 18000 | | 620 |
| | E*1P24B | 95G2UH045BE12 | 15.10 | 13.00 | 18000 | | 620 |
| | E*1P24B | 95G2UH070BE12 | 14.50 | 12.20 | 18000 | | 650 |
| | E*1P24B | 95G2DF045BV12 | 15.10 | 13.00 | 18000 | | 650 |
| | E*1P24B | 95G2DF070BV16 | 15.10 | 13.00 | 18000 | | 650 |
| | E*1P24B | 95G2UH045BV12 | 15.10 | 13.00 | 18000 | | 650 |
| | E*1P24B | 95G2UH070BV12 | 15.10 | 13.00 | 18000 | | 650 |
| | E*1P24B | EFV08BC | 15.10 | 13.00 | 18000 | | 650 |
| | E*1P29A | 80G2UH070AV12 | 16.00 | 13.00 | 18000 | | 650 |
| E*1P29A | 80G1DF045AE12 | 15.10 | 13.00 | 18000 | 650 | | |
| E*1P29A | 80G1UH045AE12 | 16.00 | 13.00 | 18000 | 650 | | |

Note:

1 Certified in accordance with Unitary Air Conditioner Certification Program, which is based on AHRI Standard 210/240

2 Required to achieve AHRI rating. If NA (Not Applicable) is in the piston column, then TXV is required

3 A blower time delay relay is required to achieve AHRI rating. This feature is standard on all Allied Air Enterprises furnace and AH products.

COOLING PERFORMANCE WITH AIR HANDLERS AND FURNACES

| Outdoor Model | Indoor Model | Variable Speed Furnace | SEER | EER | AHRI Rated Capacity ¹ BTUH | Sensible Capacity BTUH | CFM |
|-----------------------|-------------------------|------------------------|-------|-------|---------------------------------------|------------------------|-----|
| | Evap. Coil ² | | | | | | |
| 4AC14*18P-6,-7 | E*1P29B | 80GIUH070BE12 | 15.10 | 13.00 | 18000 | 13000 | 620 |
| | E*1P29B | 80G1DF070BE12 | 15.10 | 13.00 | 18000 | | 650 |
| | E*1P29B | 80G2UH090BV16 | 16.00 | 13.00 | 18000 | | 620 |
| | E*1P29B | 95G1DF045BE12 | 15.10 | 13.00 | 18000 | | 650 |
| | E*1P29B | 95G1DF070BE16 | 15.10 | 13.00 | 18000 | | 620 |
| | E*1P29B | 95GIUH045BE12 | 15.10 | 13.00 | 18000 | | 620 |
| | E*1P29B | 95GIUH070BE12 | 15.10 | 13.00 | 18000 | | 650 |
| | E*1P29B | 95G2DF045BE12 | 15.10 | 13.00 | 18000 | | 650 |
| | E*1P29B | 95G2DF070BE16 | 15.10 | 13.00 | 18000 | | 620 |
| | E*1P29B | 95G2UH045BE12 | 15.10 | 13.00 | 18000 | | 620 |
| | E*1P29B | 95G2UH070BE12 | 15.10 | 13.00 | 18000 | | 650 |
| | E*1P29B | 95G2DF045BV12 | 16.00 | 13.00 | 18000 | | 650 |
| | E*1P29B | 95G2DF070BV16 | 16.00 | 13.00 | 18000 | | 650 |
| | E*1P29B | 95G2UH045BV12 | 16.00 | 13.00 | 18000 | | 650 |
| | E*1P29B | 95G2UH070BV12 | 16.00 | 13.00 | 18000 | | 650 |
| | E*1P29B | EFV08BC | 15.10 | 13.00 | 18000 | | 650 |
| | E*1P30A | 80G1DF045AE12 | 15.10 | 13.00 | 18000 | | 650 |
| | E*1P30A | 80GIUH045AE12 | 15.10 | 13.00 | 18000 | | 650 |
| | E*1P30A | 80G2UH070AV12 | 16.00 | 13.00 | 18000 | | 650 |
| | E*1P30B | 80G2UH090BV16 | 16.00 | 13.00 | 18000 | | 620 |
| | E*1P30B | 95G1DF045BE12 | 15.10 | 13.00 | 18000 | | 650 |
| | E*1P30B | 95G1DF070BE16 | 15.10 | 13.00 | 18000 | | 620 |
| | E*1P30B | 95GIUH045BE12 | 15.10 | 13.00 | 18000 | | 620 |
| | E*1P30B | 95GIUH070BE12 | 15.10 | 13.00 | 18000 | | 650 |
| | E*1P30B | 95G2DF045BE12 | 15.10 | 13.00 | 18000 | | 650 |
| | E*1P30B | 95G2DF070BE16 | 15.10 | 13.00 | 18000 | | 620 |
| | E*1P30B | 95G2UH045BE12 | 15.10 | 13.00 | 18000 | | 620 |
| | E*1P30B | 95G2UH070BE12 | 15.10 | 13.00 | 18000 | | 650 |
| | E*1P30B | 95G2DF045BV12 | 16.00 | 13.00 | 18000 | | 650 |
| | E*1P30B | 95G2DF070BV16 | 15.10 | 13.00 | 18000 | | 650 |
| | E*1P30B | 95G2UH045BV12 | 15.10 | 13.00 | 18000 | | 650 |
| | E*1P30B | 95G2UH070BV12 | 16.00 | 13.00 | 18000 | | 650 |
| | E*1P30B | 80GIUH070BE12 | 15.10 | 13.00 | 18000 | | 620 |
| | E*1P30B | 80G1DF070BE12 | 15.10 | 13.00 | 18000 | | 650 |
| | E*1P30B | EFV08BC | 15.10 | 13.00 | 18000 | | 650 |
| | E*1P30C | 95G2UH090CV12 | 16.00 | 13.00 | 18000 | | 650 |
| | E*1P36A | 80G1DF045AE12 | 16.00 | 13.00 | 18000 | | 650 |
| | E*1P36A | 80GIUH045AE12 | 16.00 | 13.00 | 18000 | | 650 |
| | E*1P36A | 80G2UH070AV12 | 16.00 | 13.00 | 18000 | | 650 |
| | E*1P36B | 80G2UH090BV16 | 16.00 | 13.00 | 18000 | | 620 |
| E*1P36B | 95G1DF045BE12 | 15.10 | 13.00 | 18000 | 650 | | |
| E*1P36B | 95G1DF070BE16 | 15.10 | 13.00 | 18000 | 620 | | |
| E*1P36B | 95GIUH045BE12 | 15.10 | 13.00 | 18000 | 620 | | |
| E*1P36B | 95GIUH070BE12 | 15.10 | 13.00 | 18000 | 650 | | |

Note:

1 Certified in accordance with Unitary Air Conditioner Certification Program, which is based on AHRI Standard 210/240

2 Required to achieve AHRI rating. If NA (Not Applicable) is in the piston column, then TXV is required

3 A blower time delay relay is required to achieve AHRI rating. This feature is standard on all Allied Air Enterprises furnace and AH products.

COOLING PERFORMANCE WITH AIR HANDLERS AND FURNACES

| Outdoor Model | Indoor Model | Variable Speed Furnace | SEER | EER | AHRI Rated Capacity ¹ BTUH | Sensible Capacity BTUH | CFM |
|------------------------|-------------------------|------------------------|-------|-------|---------------------------------------|------------------------|-----|
| | Evap. Coil ³ | | | | | | |
| 4AC14*18P-6,-7 | E*1P36B | 95G2DF045BE12 | 15.10 | 13.00 | 18000 | 13000 | 650 |
| | E*1P36B | 95G2DF070BE16 | 15.10 | 13.00 | 18000 | | 620 |
| | E*1P36B | 95G2UH045BE12 | 15.10 | 13.00 | 18000 | | 620 |
| | E*1P36B | 95G2UH070BE12 | 15.10 | 13.00 | 18000 | | 650 |
| | E*1P36B | 95G2DF045BV12 | 16.00 | 13.00 | 18000 | | 650 |
| | E*1P36B | 95G2DF070BV16 | 16.00 | 13.00 | 18000 | | 650 |
| | E*1P36B | 95G2UH045BV12 | 16.00 | 13.00 | 18000 | | 650 |
| | E*1P36B | 95G2UH070BV12 | 16.00 | 13.00 | 18000 | | 650 |
| | E*1P36B | 80G1UH070BE12 | 15.10 | 13.00 | 18000 | | 620 |
| | E*1P36B | 80G1DF070BE12 | 15.10 | 13.00 | 18000 | | 650 |
| | E*1P36B | EFV08BC | 15.10 | 13.00 | 18000 | | 650 |
| | E*1P36C | 95G2UH090CV12 | 16.00 | 13.00 | 18000 | | 650 |
| 4AC14*R18P-6,-7 | BC*3M18C****P | | 14.00 | 12.20 | 18000 | 13000 | 650 |
| | BC*3M24E****X | | 15.10 | 13.00 | 18000 | | 650 |
| | BCS2M24V****P | | 16.00 | 13.00 | 18000 | | 650 |
| | E*1P18A | 80G1DF045AE12 | 15.10 | 13.00 | 18000 | | 665 |
| | E*1P18A | 80G2UH070AV12 | 15.10 | 13.00 | 18000 | | 645 |
| | E*1P18A | 80G1UH045AE12 | 15.10 | 13.00 | 18000 | | 650 |
| | E*1P19A | 80G1UH045AE12 | 15.10 | 13.00 | 18000 | | 650 |
| | E*1P19A | 80G1DF045AE12 | 15.10 | 13.00 | 18000 | | 650 |
| | E*1P19A | 80G2UH070AV12 | 15.10 | 13.00 | 18000 | | 650 |
| | E*1P23A | 80G2UH070AV12 | 16.00 | 13.00 | 18000 | | 650 |
| | E*1P23A | 80G1DF045AE12 | 15.10 | 13.00 | 18000 | | 650 |
| | E*1P23B | 80G1DF070BE12 | 15.10 | 13.00 | 18000 | | 650 |
| | E*1P23B | 80G1UH070BE12 | 15.10 | 13.00 | 18000 | | 650 |
| | E*1P23B | 80G2UH090BV16 | 16.00 | 13.00 | 18000 | | 620 |
| | E*1P23B | 95G1DF045BE12 | 15.10 | 13.00 | 18000 | | 650 |
| | E*1P23B | 95G1DF070BE16 | 15.10 | 13.00 | 18000 | | 625 |
| | E*1P23B | 95G1UH045BE12 | 15.10 | 13.00 | 18000 | | 620 |
| | E*1P23B | 95G1UH070BE12 | 15.10 | 13.00 | 18000 | | 650 |
| | E*1P23B | 95G2DF045BE12 | 15.10 | 13.00 | 18000 | | 650 |
| | E*1P23B | 95G2DF070BE16 | 15.10 | 13.00 | 18000 | | 620 |
| | E*1P23B | 95G2UH045BE12 | 15.10 | 13.00 | 18000 | | 620 |
| | E*1P23B | 95G2UH070BE12 | 15.10 | 13.00 | 18000 | | 650 |
| | E*1P23B | 95G2DF045BV12 | 16.00 | 13.00 | 18000 | | 650 |
| | E*1P23B | 95G2DF070BV16 | 15.10 | 13.00 | 18000 | | 650 |
| | E*1P23B | 95G2UH045BV12 | 15.10 | 13.00 | 18000 | | 650 |
| | E*1P23B | 95G2UH070BV12 | 16.00 | 13.00 | 18000 | | 650 |
| | E*1P23B | EFV08BC | 15.10 | 13.00 | 18000 | | 650 |
| | E*1P24A | 80G1DF045AE12 | 15.10 | 13.00 | 18000 | | 650 |
| | E*1P24A | 80G2UH070AV12 | 15.10 | 13.00 | 18000 | | 650 |
| | E*1P24A | 80G1UH045AE12 | 15.10 | 13.00 | 18000 | | 650 |
| | E*1P24B | 80G2UH090BV16 | 15.10 | 13.00 | 18000 | | 620 |
| | E*1P24B | 95G1DF045BE12 | 15.10 | 13.00 | 18000 | | 650 |

Note:

1 Certified in accordance with Unitary Air Conditioner Certification Program, which is based on AHRI Standard 210/240

2 Required to achieve AHRI rating. If NA (Not Applicable) is in the piston column, then TXV is required

3 A blower time delay relay is required to achieve AHRI rating. This feature is standard on all Allied Air Enterprises furnace and AH products.

COOLING PERFORMANCE WITH AIR HANDLERS AND FURNACES

| Outdoor Model | Indoor Model | Variable Speed Furnace | SEER | EER | AHRI Rated Capacity ¹ BTUH | Sensible Capacity BTUH | CFM |
|-------------------------|-------------------------|------------------------|-------|-------|---------------------------------------|------------------------|-----|
| | Evap. Coil ² | | | | | | |
| 4AC14*RT18P-6,-7 | E*1P24B | 95G1DF070BE16 | 14.50 | 12.20 | 18000 | 13000 | 620 |
| | E*1P24B | 95G1UH045BE12 | 15.10 | 13.00 | 18000 | | 620 |
| | E*1P24B | 95G1UH070BE12 | 14.50 | 12.20 | 18000 | | 650 |
| | E*1P24B | 95G2DF045BE12 | 15.10 | 13.00 | 18000 | | 650 |
| | E*1P24B | 95G2DF070BE16 | 14.50 | 12.20 | 18000 | | 620 |
| | E*1P24B | 95G2UH045BE12 | 15.10 | 13.00 | 18000 | | 620 |
| | E*1P24B | 95G2UH070BE12 | 14.50 | 12.20 | 18000 | | 650 |
| | E*1P24B | 95G2DF045BV12 | 15.10 | 13.00 | 18000 | | 650 |
| | E*1P24B | 95G2DF070BV16 | 15.10 | 13.00 | 18000 | | 650 |
| | E*1P24B | 95G2UH045BV12 | 15.10 | 13.00 | 18000 | | 650 |
| | E*1P24B | 95G2UH070BV12 | 15.10 | 13.00 | 18000 | | 650 |
| | E*1P24B | 80G1DF070BE12 | 14.50 | 12.20 | 18000 | | 650 |
| | E*1P24B | 80G1UH070BE12 | 15.10 | 13.00 | 18000 | | 620 |
| | E*1P24B | EFV08BC | 15.10 | 13.00 | 18000 | | 650 |
| | E*1P29A | 80G2UH070AV12 | 16.00 | 13.00 | 18000 | | 650 |
| | E*1P29A | 80G1DF045AE12 | 15.10 | 13.00 | 18000 | | 650 |
| | E*1P29A | 80G1UH045AE12 | 15.10 | 13.00 | 18000 | | 650 |
| | E*1P29B | 80G1DF070BE12 | 15.10 | 13.00 | 18000 | | 650 |
| | E*1P29B | 80G1UH070BE12 | 15.10 | 13.00 | 18000 | | 620 |
| | E*1P29B | 80G2UH090BV16 | 16.00 | 13.00 | 18000 | | 620 |
| | E*1P29B | 95G1DF045BE12 | 15.10 | 13.00 | 18000 | | 650 |
| | E*1P29B | 95G1DF070BE16 | 15.10 | 13.00 | 18000 | | 620 |
| | E*1P29B | 95G1UH045BE12 | 15.10 | 13.00 | 18000 | | 620 |
| | E*1P29B | 95G1UH070BE12 | 15.10 | 13.00 | 18000 | | 650 |
| | E*1P29B | 95G2DF045BE12 | 15.10 | 13.00 | 18000 | | 650 |
| | E*1P29B | 95G2DF070BE16 | 15.10 | 13.00 | 18000 | | 620 |
| | E*1P29B | 95G2UH045BE12 | 15.10 | 13.00 | 18000 | | 620 |
| | E*1P29B | 95G2UH070BE12 | 15.10 | 13.00 | 18000 | | 650 |
| | E*1P29B | 95G2DF045BV12 | 16.00 | 13.00 | 18000 | | 650 |
| | E*1P29B | 95G2DF070BV16 | 16.00 | 13.00 | 18000 | | 650 |
| | E*1P29B | 95G2UH045BV12 | 16.00 | 13.00 | 18000 | | 650 |
| | E*1P29B | 95G2UH070BV12 | 16.00 | 13.00 | 18000 | | 650 |
| | E*1P29B | EFV08BC | 15.10 | 13.00 | 18000 | | 650 |
| | E*1P30A | 80G1DF045AE12 | 15.10 | 13.00 | 18000 | | 650 |
| | E*1P30A | 80G2UH070AV12 | 16.00 | 13.00 | 18000 | | 650 |
| | E*1P30A | 80G1UH045AE12 | 15.10 | 13.00 | 18000 | | 650 |
| | E*1P30B | 80G2UH090BV16 | 16.00 | 13.00 | 18000 | | 620 |
| | E*1P30B | 95G1DF045BE12 | 15.10 | 13.00 | 18000 | | 650 |
| | E*1P30B | 95G1DF070BE16 | 15.10 | 13.00 | 18000 | | 620 |
| | E*1P30B | 95G1UH045BE12 | 15.10 | 13.00 | 18000 | | 620 |
| E*1P30B | 95G1UH070BE12 | 15.10 | 13.00 | 18000 | 650 | | |
| E*1P30B | 95G2DF045BE12 | 15.10 | 13.00 | 18000 | 650 | | |
| E*1P30B | 95G2DF070BE16 | 15.10 | 13.00 | 18000 | 620 | | |
| E*1P30B | 95G2UH045BE12 | 15.10 | 13.00 | 18000 | 620 | | |

Note:

1 Certified in accordance with Unitary Air Conditioner Certification Program, which is based on AHRI Standard 210/240

2 Required to achieve AHRI rating. If NA (Not Applicable) is in the piston column, then TXV is required

3 A blower time delay relay is required to achieve AHRI rating. This feature is standard on all Allied Air Enterprises furnace and AH products.

COOLING PERFORMANCE WITH AIR HANDLERS AND FURNACES

| Outdoor Model | Indoor Model | Variable Speed Furnace | SEER | EER | AHRI Rated Capacity ¹ BTUH | Sensible Capacity BTUH | CFM |
|------------------------|-------------------------|------------------------|-------|-------|---------------------------------------|------------------------|-----|
| | Evap. Coil ³ | | | | | | |
| 4AC14*R18P-6,-7 | E*1P30B | 95G2UH070BE12 | 15.10 | 13.00 | 18000 | 13000 | 650 |
| | E*1P30B | 95G2DF045BV12 | 16.00 | 13.00 | 18000 | | 650 |
| | E*1P30B | 95G2DF070BV16 | 15.10 | 13.00 | 18000 | | 650 |
| | E*1P30B | 95G2UH045BV12 | 15.10 | 13.00 | 18000 | | 650 |
| | E*1P30B | 95G2UH070BV12 | 16.00 | 13.00 | 18000 | | 650 |
| | E*1P30B | EFV08BC | 15.10 | 13.00 | 18000 | | 650 |
| | E*1P30B | 80G1DF070BE12 | 15.10 | 13.00 | 18000 | | 650 |
| | E*1P30B | 80G1UH070BE12 | 15.10 | 13.00 | 18000 | | 620 |
| | E*1P30C | 95G2UH090CV12 | 16.00 | 13.00 | 18000 | | 650 |
| | E*1P36A | 80G1DF045AE12 | 16.00 | 13.00 | 18000 | | 650 |
| | E*1P36A | 80G2UH070AV12 | 16.00 | 13.00 | 18000 | | 650 |
| | E*1P36A | 80G1UH045AE12 | 15.10 | 13.00 | 18000 | | 650 |
| | E*1P36B | 80G2UH090BV16 | 16.00 | 13.00 | 18000 | | 620 |
| | E*1P36B | 95G1DF045BE12 | 15.10 | 13.00 | 18000 | | 650 |
| | E*1P36B | 95G1DF070BE16 | 15.10 | 13.00 | 18000 | | 620 |
| | E*1P36B | 95G1UH045BE12 | 15.10 | 13.00 | 18000 | | 620 |
| | E*1P36B | 95G1UH070BE12 | 15.10 | 13.00 | 18000 | | 650 |
| | E*1P36B | 95G2DF045BE12 | 15.10 | 13.00 | 18000 | | 650 |
| | E*1P36B | 95G2DF070BE16 | 15.10 | 13.00 | 18000 | | 620 |
| | E*1P36B | 95G2UH045BE12 | 15.10 | 13.00 | 18000 | | 620 |
| | E*1P36B | 95G2UH070BE12 | 15.10 | 13.00 | 18000 | | 650 |
| | E*1P36B | 95G2DF045BV12 | 16.00 | 13.00 | 18000 | | 650 |
| | E*1P36B | 95G2DF070BV16 | 16.00 | 13.00 | 18000 | | 650 |
| | E*1P36B | 95G2UH045BV12 | 16.00 | 13.00 | 18000 | | 650 |
| | E*1P36B | 95G2UH070BV12 | 16.00 | 13.00 | 18000 | | 650 |
| | E*1P36B | 80G1DF070BE12 | 15.10 | 13.00 | 18000 | | 650 |
| | E*1P36B | 80G1UH070BE12 | 15.10 | 13.00 | 18000 | | 620 |
| | E*1P36B | EFV08BC | 15.10 | 13.00 | 18000 | | 650 |
| E*1P36C | 95G2UH090CV12 | 16.00 | 13.00 | 18000 | 650 | | |
| 4AC14*24P-6,-7 | BC*3M24C****P | | 14.00 | 12.20 | 23000 | 17000 | 850 |
| | BC*3M30E****X | | 15.10 | 13.00 | 23000 | | 850 |
| | BCS2M24V****P | | 16.00 | 13.00 | 23000 | | 850 |
| | E*1P23A | 80G1DF045AE12 | 15.10 | 13.00 | 23000 | | 790 |
| | E*1P23A | 80G1UH045AE12 | 15.10 | 12.50 | 23000 | | 850 |
| | E*1P23A | 80G2UH070AV12 | 15.10 | 13.00 | 23000 | | 850 |
| | E*1P23B | 80G2UH090BV16 | 15.10 | 12.50 | 23000 | | 800 |
| | E*1P23B | 95G1UH070BE12 | 15.10 | 12.50 | 23000 | | 800 |
| | E*1P23B | 95G2UH070BE12 | 15.10 | 12.50 | 23000 | | 800 |
| | E*1P23B | 95G2DF045BV12 | 15.10 | 12.50 | 23000 | | 850 |
| | E*1P23B | 95G2DF070BV16 | 14.50 | 12.20 | 23000 | | 850 |
| | E*1P23B | 95G2UH045BV12 | 15.10 | 12.50 | 23000 | | 850 |
| | E*1P23B | 95G2UH070BV12 | 15.10 | 13.00 | 23000 | | 850 |
| | E*1P23B | 80G1UH070BE12 | 15.10 | 13.00 | 23000 | | 800 |
| | E*1P23B | 80G1DF070BE12 | 15.10 | 13.00 | 23000 | | 850 |

Note:

1 Certified in accordance with Unitary Air Conditioner Certification Program, which is based on AHRI Standard 210/240

2 Required to achieve AHRI rating. If NA (Not Applicable) is in the piston column, then TXV is required

3 A blower time delay relay is required to achieve AHRI rating. This feature is standard on all Allied Air Enterprises furnace and AH products.

COOLING PERFORMANCE WITH AIR HANDLERS AND FURNACES

| Outdoor Model | Indoor Model | Variable Speed Furnace | SEER | EER | AHRI Rated Capacity ¹ BTUH | Sensible Capacity BTUH | CFM |
|-----------------------|-------------------------|------------------------|-------|-------|---------------------------------------|------------------------|-----|
| | Evap. Coil ² | | | | | | |
| 4AC14*24P-6,-7 | E*1P23B | EFV08BC | 15.10 | 12.50 | 23000 | 17000 | 850 |
| | E*1P24A | 80G1DF045AE12 | 14.50 | 12.20 | 23000 | | 790 |
| | E*1P24A | 80G1UH045AE12 | 14.50 | 12.20 | 23000 | | 850 |
| | E*1P24A | 80G2UH070AV12 | 14.50 | 12.20 | 23000 | | 850 |
| | E*1P24B | 80G2UH090BV16 | 14.50 | 12.20 | 23000 | | 800 |
| | E*1P24B | 95G1UH070BE12 | 14.50 | 12.20 | 23000 | | 800 |
| | E*1P24B | 95G2UH070BE12 | 14.50 | 12.20 | 23000 | | 800 |
| | E*1P24B | 95G2DF045BV12 | 14.50 | 12.20 | 23000 | | 850 |
| | E*1P24B | 95G2DF070BV16 | 14.50 | 12.20 | 23000 | | 850 |
| | E*1P24B | 95G2UH045BV12 | 14.50 | 12.20 | 23000 | | 850 |
| | E*1P24B | 95G2UH070BV12 | 14.50 | 12.20 | 23000 | | 850 |
| | E*1P24B | 80G1UH070BE12 | 14.50 | 12.20 | 23000 | | 800 |
| | E*1P24B | 80G1DF070BE12 | 14.50 | 12.20 | 23000 | | 850 |
| | E*1P24B | EFV08BC | 14.50 | 12.20 | 23000 | | 850 |
| | E*1P29A | 80G2UH070AV12 | 15.10 | 13.00 | 23000 | | 850 |
| | E*1P29A | 80G1DF045AE12 | 15.10 | 13.00 | 23000 | | 790 |
| | E*1P29A | 80G1UH045AE12 | 15.10 | 13.00 | 23000 | | 850 |
| | E*1P29B | 80G1UH070BE12 | 15.10 | 13.00 | 23000 | | 800 |
| | E*1P29B | 80G1DF070BE12 | 15.10 | 13.00 | 23000 | | 850 |
| | E*1P29B | 80G2UH090BV16 | 15.10 | 13.00 | 23000 | | 800 |
| | E*1P29B | 95G1UH070BE12 | 15.10 | 13.00 | 23000 | | 800 |
| | E*1P29B | 95G2UH070BE12 | 15.10 | 13.00 | 23000 | | 800 |
| | E*1P29B | 95G2DF045BV12 | 15.10 | 13.00 | 23000 | | 850 |
| | E*1P29B | 95G2DF070BV16 | 15.10 | 12.50 | 23000 | | 850 |
| | E*1P29B | 95G2UH045BV12 | 15.10 | 13.00 | 23000 | | 850 |
| | E*1P29B | 95G2UH070BV12 | 15.10 | 13.00 | 23000 | | 850 |
| | E*1P29B | EFV08BC | 15.10 | 12.50 | 23000 | | 850 |
| | E*1P30A | 80G1UH045AE12 | 15.10 | 12.50 | 23000 | | 850 |
| | E*1P30A | 80G1DF045AE12 | 15.10 | 13.00 | 23000 | | 800 |
| | E*1P30A | 80G2UH070AV12 | 15.10 | 13.00 | 23000 | | 850 |
| | E*1P30B | 80G2UH090BV16 | 15.10 | 12.50 | 23000 | | 800 |
| | E*1P30B | 95G1UH070BE12 | 15.10 | 12.50 | 23000 | | 800 |
| | E*1P30B | 95G2UH070BE12 | 15.10 | 12.50 | 23000 | | 800 |
| | E*1P30B | 95G2DF045BV12 | 15.10 | 12.50 | 23000 | | 850 |
| | E*1P30B | 95G2DF070BV16 | 14.50 | 12.20 | 23000 | | 850 |
| | E*1P30B | 95G2UH045BV12 | 15.10 | 12.50 | 23000 | | 850 |
| | E*1P30B | 95G2UH070BV12 | 15.10 | 12.50 | 23000 | | 850 |
| | E*1P30B | EFV08BC | 14.50 | 12.20 | 23000 | | 850 |
| | E*1P30B | 80G1DF070BE12 | 15.10 | 13.00 | 23000 | | 850 |
| | E*1P30B | 80G1UH070BE12 | 15.10 | 13.00 | 23000 | | 800 |
| E*1P30C | 95G2UH090CV12 | 15.10 | 13.00 | 23000 | 850 | | |
| E*1P36A | 80G1DF045AE12 | 15.10 | 13.00 | 23000 | 800 | | |
| E*1P36A | 80G1UH045AE12 | 15.10 | 13.00 | 23000 | 850 | | |
| E*1P36A | 80G2UH070AV12 | 16.00 | 13.00 | 23000 | 850 | | |

Note:

1 Certified in accordance with Unitary Air Conditioner Certification Program, which is based on AHRI Standard 210/240

2 Required to achieve AHRI rating. If NA (Not Applicable) is in the piston column, then TXV is required

3 A blower time delay relay is required to achieve AHRI rating. This feature is standard on all Allied Air Enterprises furnace and AH products.

COOLING PERFORMANCE WITH AIR HANDLERS AND FURNACES

| Outdoor Model | Indoor Model | Variable Speed Furnace | SEER | EER | AHRI Rated Capacity ¹ BTUH | Sensible Capacity BTUH | CFM |
|-----------------------|-------------------------|------------------------|-------|-------|---------------------------------------|------------------------|-------|
| | Evap. Coil ³ | | | | | | |
| 4AC14*24P-6,-7 | E*1P36B | 80G2UH090BV16 | 15.10 | 13.00 | 23000 | 17000 | 800 |
| | E*1P36B | 95G1DF045BE12 | 14.00 | 12.20 | 23000 | | 850 |
| | E*1P36B | 95G1DF070BE16 | 14.00 | 12.20 | 23000 | | 850 |
| | E*1P36B | 95G1UH045BE12 | 14.00 | 12.20 | 23000 | | 850 |
| | E*1P36B | 95G1UH070BE12 | 15.10 | 13.00 | 23000 | | 800 |
| | E*1P36B | 95G2DF045BE12 | 14.00 | 12.20 | 23000 | | 850 |
| | E*1P36B | 95G2DF070BE16 | 14.00 | 12.20 | 23000 | | 850 |
| | E*1P36B | 95G2UH045BE12 | 14.00 | 12.20 | 23000 | | 850 |
| | E*1P36B | 95G2UH070BE12 | 15.10 | 13.00 | 23000 | | 800 |
| | E*1P36B | 95G2DF045BV12 | 15.10 | 13.00 | 23000 | | 850 |
| | E*1P36B | 95G2DF070BV16 | 15.10 | 12.50 | 23000 | | 850 |
| | E*1P36B | 95G2UH045BV12 | 15.10 | 13.00 | 23000 | | 850 |
| | E*1P36B | 95G2UH070BV12 | 15.10 | 13.00 | 23000 | | 850 |
| | E*1P36B | 80G1UH070BE12 | 15.10 | 13.00 | 23000 | | 820 |
| | E*1P36B | 80G1DF070BE12 | 15.10 | 13.00 | 23000 | | 850 |
| | E*1P36B | EFV08BC | 15.10 | 13.00 | 23000 | | 850 |
| | E*1P36C | 95G2UH090CV12 | 16.00 | 13.00 | 23000 | | 850 |
| | 4AC14*R24P-6,-7 | BC*3M24C****P | | 14.00 | 12.20 | | 23000 |
| BC*3M30E****X | | | 15.10 | 13.00 | 23000 | 850 | |
| BCS2M24V****P | | | 16.00 | 13.00 | 23000 | 850 | |
| E*1P18A | | 80G1UH045AE12 | 15.10 | 13.00 | 23000 | 850 | |
| E*1P18A | | 80G1DF045AE12 | 15.10 | 13.00 | 23000 | 790 | |
| E*1P18A | | 80G2UH070AV12 | 15.10 | 13.00 | 23000 | 850 | |
| E*1P19A | | 80G1DF045AE12 | 15.10 | 13.00 | 23000 | 790 | |
| E*1P19A | | 80G2UH070AV12 | 15.10 | 13.00 | 23000 | 850 | |
| E*1P19A | | 80G1UH045AE12 | 15.10 | 13.00 | 23000 | 850 | |
| E*1P23A | | 80G1UH045AE12 | 15.10 | 13.00 | 23000 | 850 | |
| E*1P23A | | 80G1DF045AE12 | 15.10 | 13.00 | 23000 | 790 | |
| E*1P23A | | 80G2UH070AV12 | 15.10 | 13.00 | 23000 | 850 | |
| E*1P23B | | 80G2UH090BV16 | 15.10 | 12.50 | 23000 | 800 | |
| E*1P23B | | 95G1UH070BE12 | 15.10 | 12.50 | 23000 | 800 | |
| E*1P23B | | 95G2UH070BE12 | 15.10 | 12.50 | 23000 | 800 | |
| E*1P23B | | 95G2DF045BV12 | 15.10 | 12.50 | 23000 | 850 | |
| E*1P23B | | 95G2DF070BV16 | 14.50 | 12.20 | 23000 | 850 | |
| E*1P23B | | 95G2UH045BV12 | 15.10 | 12.50 | 23000 | 850 | |
| E*1P23B | | 95G2UH070BV12 | 15.10 | 13.00 | 23000 | 850 | |
| E*1P23B | | 80G1DF070BE12 | 15.10 | 13.00 | 23000 | 850 | |
| E*1P23B | | 80G1UH070BE12 | 15.10 | 13.00 | 23000 | 800 | |
| E*1P23B | | EFV08BC | 15.10 | 12.50 | 23000 | 850 | |
| E*1P23B | | 80G2UH070AV12 | 15.10 | 13.00 | 23000 | 850 | |
| E*1P24A | | 80G1DF045AE12 | 14.50 | 12.20 | 23000 | 790 | |
| E*1P24A | | 80G2UH070AV12 | 14.50 | 12.20 | 23000 | 850 | |
| E*1P24B | | 80G2UH090BV16 | 14.50 | 12.20 | 23000 | 800 | |
| E*1P24B | 95G1UH070BE12 | 14.50 | 12.20 | 23000 | 800 | | |

Note:

1 Certified in accordance with Unitary Air Conditioner Certification Program, which is based on AHRI Standard 210/240

2 Required to achieve AHRI rating. If NA (Not Applicable) is in the piston column, then TXV is required

3 A blower time delay relay is required to achieve AHRI rating. This feature is standard on all Allied Air Enterprises furnace and AH products.

COOLING PERFORMANCE WITH AIR HANDLERS AND FURNACES

| Outdoor Model | Indoor Model | Variable Speed Furnace | SEER | EER | AHRI Rated Capacity ¹ BTUH | Sensible Capacity BTUH | CFM |
|------------------------|-------------------------|------------------------|-------|-------|---------------------------------------|------------------------|-----|
| | Evap. Coil ² | | | | | | |
| 4AC14*R24P-6,-7 | E*1P24B | 95G2UH070BE12 | 14.50 | 12.20 | 23000 | 17000 | 800 |
| | E*1P24B | 95G2DF045BV12 | 14.50 | 12.20 | 23000 | | 850 |
| | E*1P24B | 95G2DF070BV16 | 14.50 | 12.20 | 23000 | | 850 |
| | E*1P24B | 95G2UH045BV12 | 14.50 | 12.20 | 23000 | | 850 |
| | E*1P24B | 95G2UH070BV12 | 14.50 | 12.20 | 23000 | | 850 |
| | E*1P24B | 80G1DF070BE12 | 14.50 | 12.20 | 23000 | | 850 |
| | E*1P24B | 80G1UH070BE12 | 14.50 | 12.20 | 23000 | | 800 |
| | E*1P24B | EFV08BC | 14.50 | 12.20 | 23000 | | 850 |
| | E*1P29A | 80G1DF045AE12 | 15.10 | 13.00 | 23000 | | 790 |
| | E*1P29A | 80G2UH070AV12 | 15.10 | 13.00 | 23000 | | 850 |
| | E*1P29B | 80G2UH090BV16 | 15.10 | 13.00 | 23000 | | 800 |
| | E*1P29B | 95G1UH070BE12 | 15.10 | 13.00 | 23000 | | 800 |
| | E*1P29B | 95G2UH070BE12 | 15.10 | 13.00 | 23000 | | 800 |
| | E*1P29B | 95G2DF045BV12 | 15.10 | 13.00 | 23000 | | 850 |
| | E*1P29B | 95G2DF070BV16 | 15.10 | 12.50 | 23000 | | 850 |
| | E*1P29B | 95G2UH045BV12 | 15.10 | 13.00 | 23000 | | 850 |
| | E*1P29B | 95G2UH070BV12 | 15.10 | 13.00 | 23000 | | 850 |
| | E*1P29B | 80G1DF070BE12 | 15.10 | 13.00 | 23000 | | 850 |
| | E*1P29B | 80G1UH070BE12 | 15.10 | 13.00 | 23000 | | 800 |
| | E*1P29B | EFV08BC | 15.10 | 12.50 | 23000 | | 850 |
| | E*1P30A | 80G1DF045AE12 | 15.10 | 13.00 | 23000 | | 800 |
| | E*1P30A | 80G2UH070AV12 | 15.10 | 13.00 | 23000 | | 850 |
| | E*1P30B | 80G2UH090BV16 | 15.10 | 12.50 | 23000 | | 800 |
| | E*1P30B | 95G1UH070BE12 | 15.10 | 12.50 | 23000 | | 800 |
| | E*1P30B | 95G2UH070BE12 | 15.10 | 12.50 | 23000 | | 800 |
| | E*1P30B | 95G2DF045BV12 | 15.10 | 12.50 | 23000 | | 850 |
| | E*1P30B | 95G2DF070BV16 | 14.50 | 12.20 | 23000 | | 850 |
| | E*1P30B | 95G2UH045BV12 | 15.10 | 12.50 | 23000 | | 850 |
| | E*1P30B | 95G2UH070BV12 | 15.10 | 12.50 | 23000 | | 850 |
| | E*1P30B | EFV08BC | 14.50 | 12.20 | 23000 | | 850 |
| | E*1P30B | 80G1DF070BE12 | 15.10 | 13.00 | 23000 | | 850 |
| | E*1P30B | 80G1UH070BE12 | 15.10 | 13.00 | 23000 | | 800 |
| | E*1P30C | 95G2UH090CV12 | 15.10 | 13.00 | 23000 | | 850 |
| | E*1P36A | 80G2UH070AV12 | 16.00 | 13.00 | 23000 | | 850 |
| | E*1P36A | 80G1DF045AE12 | 15.10 | 13.00 | 23000 | | 800 |
| | E*1P36B | 80G1DF070BE12 | 15.10 | 13.00 | 23000 | | 850 |
| | E*1P36B | 80G1UH070BE12 | 15.10 | 13.00 | 23000 | | 820 |
| | E*1P36B | 80G2UH090BV16 | 15.10 | 13.00 | 23000 | | 800 |
| | E*1P36B | 95G1DF045BE12 | 14.00 | 12.20 | 23000 | | 850 |
| | E*1P36B | 95G1DF070BE16 | 14.00 | 12.20 | 23000 | | 850 |
| E*1P36B | 95G1UH045BE12 | 14.00 | 12.20 | 23000 | 850 | | |
| E*1P36B | 95G1UH070BE12 | 15.10 | 13.00 | 23000 | 800 | | |
| E*1P36B | 95G2DF045BE12 | 14.00 | 12.20 | 23000 | 850 | | |
| E*1P36B | 95G2DF070BE16 | 14.00 | 12.20 | 23000 | 850 | | |

Note:

1 Certified in accordance with Unitary Air Conditioner Certification Program, which is based on AHRI Standard 210/240

2 Required to achieve AHRI rating. If NA (Not Applicable) is in the piston column, then TXV is required

3 A blower time delay relay is required to achieve AHRI rating. This feature is standard on all Allied Air Enterprises furnace and AH products.

COOLING PERFORMANCE WITH AIR HANDLERS AND FURNACES

| Outdoor Model | Indoor Model | Variable Speed Furnace | SEER | EER | AHRI Rated Capacity ¹ BTUH | Sensible Capacity BTUH | CFM |
|------------------------|-------------------------|------------------------|-------|-------|---------------------------------------|------------------------|------|
| | Evap. Coil ³ | | | | | | |
| 4AC14*R24P-6,-7 | E*1P36B | 95G2UH045BE12 | 14.00 | 12.20 | 23000 | 17000 | 850 |
| | E*1P36B | 95G2UH070BE12 | 15.10 | 13.00 | 23000 | | 800 |
| | E*1P36B | 95G2DF045BV12 | 15.10 | 13.00 | 23000 | | 850 |
| | E*1P36B | 95G2DF070BV16 | 15.10 | 12.50 | 23000 | | 850 |
| | E*1P36B | 95G2UH045BV12 | 15.10 | 13.00 | 23000 | | 850 |
| | E*1P36B | 95G2UH070BV12 | 15.10 | 13.00 | 23000 | | 850 |
| | E*1P36B | EFV08BC | 15.10 | 13.00 | 23000 | | 850 |
| | E*1P36C | 95G2UH090CV12 | 16.00 | 13.00 | 23000 | | 850 |
| 4AC14*30P-6,-7 | BC*3M30C****P | | 14.00 | 12.20 | 28000 | 21000 | 1000 |
| | BC*3M30E****X | | 15.10 | 13.00 | 28000 | | 1000 |
| | BCS2M36V****P | | 16.00 | 13.00 | 28000 | | 1000 |
| | E*1P29A | 80G1DF045AE12 | 15.10 | 13.00 | 28000 | | 1000 |
| | E*1P29A | 80G2UH070AV12 | 15.10 | 13.00 | 28000 | | 1000 |
| | E*1P29A | 80G1UH045AE12 | 15.10 | 13.00 | 28000 | | 1000 |
| | E*1P29B | 80G1UH070BE12 | 15.10 | 13.00 | 28000 | | 1000 |
| | E*1P29B | 80G1UH090BE16 | 15.10 | 13.00 | 28000 | | 1000 |
| | E*1P29B | EFV12BC | 14.50 | 12.20 | 28000 | | 1000 |
| | E*1P29B | 80G2UH090BV16 | 15.10 | 13.00 | 28000 | | 1000 |
| | E*1P29B | 95G1DF045BE12 | 15.10 | 13.00 | 28000 | | 1000 |
| | E*1P29B | 95G1DF070BE16 | 15.10 | 13.00 | 28000 | | 1000 |
| | E*1P29B | 95G1UH045BE12 | 15.10 | 13.00 | 28000 | | 1000 |
| | E*1P29B | 95G1UH070BE12 | 15.10 | 13.00 | 28000 | | 1000 |
| | E*1P29B | 95G2DF045BE12 | 15.10 | 13.00 | 28000 | | 980 |
| | E*1P29B | 95G2DF070BE16 | 15.10 | 13.00 | 28000 | | 1000 |
| | E*1P29B | 95G2UH045BE12 | 15.10 | 13.00 | 28000 | | 1000 |
| | E*1P29B | 95G2UH070BE12 | 15.10 | 13.00 | 28000 | | 1000 |
| | E*1P29B | 95G2DF045BV12 | 15.10 | 13.00 | 28000 | | 960 |
| | E*1P29B | 95G2DF070BV16 | 15.10 | 13.00 | 28000 | | 1000 |
| | E*1P29B | 95G2UH045BV12 | 15.10 | 13.00 | 28000 | | 980 |
| | E*1P29B | 95G2UH070BV12 | 15.10 | 13.00 | 28000 | | 960 |
| | E*1P29B | 80G1DF070BE12 | 15.10 | 13.00 | 28000 | | 1000 |
| | E*1P29B | 80G1DF090BE16 | 15.10 | 13.00 | 28000 | | 1000 |
| | E*1P36A | 80G2UH070AV12 | 16.00 | 13.00 | 28000 | | 1000 |
| | E*1P36A | 80G1DF045AE12 | 15.10 | 13.00 | 28000 | | 1000 |
| | E*1P36A | 80G1UH045AE12 | 15.10 | 13.00 | 28000 | | 1000 |
| | E*1P36B | 80G1UH070BE12 | 16.00 | 13.00 | 28000 | | 1000 |
| | E*1P36B | 80G1UH090BE16 | 16.00 | 13.00 | 28000 | | 1000 |
| | E*1P36B | 80G1DF070BE12 | 16.00 | 13.00 | 28000 | | 1000 |
| | E*1P36B | 80G1DF090BE16 | 16.00 | 13.00 | 28000 | | 1000 |
| | E*1P36B | EFV12BC | 14.50 | 12.20 | 28000 | | 1000 |
| E*1P36B | 80G2UH090BV16 | 16.00 | 13.00 | 28000 | 1000 | | |
| E*1P36B | 95G1DF045BE12 | 15.10 | 13.00 | 28000 | 1000 | | |
| E*1P36B | 95G1DF070BE16 | 15.10 | 13.00 | 28000 | 1000 | | |
| E*1P36B | 95G1UH045BE12 | 15.10 | 13.00 | 28000 | 1000 | | |

Note:

1 Certified in accordance with Unitary Air Conditioner Certification Program, which is based on AHRI Standard 210/240

2 Required to achieve AHRI rating. If NA (Not Applicable) is in the piston column, then TXV is required

3 A blower time delay relay is required to achieve AHRI rating. This feature is standard on all Allied Air Enterprises furnace and AH products.

COOLING PERFORMANCE WITH AIR HANDLERS AND FURNACES

| Outdoor Model | Indoor Model | Variable Speed Furnace | SEER | EER | AHRI Rated Capacity ¹ BTUH | Sensible Capacity BTUH | CFM |
|------------------------|-------------------------|------------------------|-------|-------|---------------------------------------|------------------------|------|
| | Evap. Coil ² | | | | | | |
| 4AC14*30P-6,-7 | E*1P36B | 95G1UH070BE12 | 15.10 | 13.00 | 28000 | 21000 | 1000 |
| | E*1P36B | 95G2DF045BE12 | 15.10 | 13.00 | 28000 | | 980 |
| | E*1P36B | 95G2DF070BE16 | 15.10 | 13.00 | 28000 | | 1000 |
| | E*1P36B | 95G2UH045BE12 | 15.10 | 13.00 | 28000 | | 1015 |
| | E*1P36B | 95G2UH070BE12 | 15.10 | 13.00 | 28000 | | 995 |
| | E*1P36B | 95G2DF045BV12 | 15.10 | 13.00 | 28000 | | 960 |
| | E*1P36B | 95G2DF070BV16 | 15.10 | 13.00 | 28000 | | 1000 |
| | E*1P36B | 95G2UH045BV12 | 15.10 | 13.00 | 28000 | | 980 |
| | E*1P36B | 95G2UH070BV12 | 16.00 | 13.00 | 28000 | | 960 |
| | E*1P36C | 95G2UH090CV12 | 16.00 | 13.00 | 28000 | | 1000 |
| | E*1P36C | 95G2UH090CE16 | 14.50 | 12.20 | 28000 | | 1000 |
| | E*1P36C | 95G2DF090CE20 | 15.10 | 13.00 | 28000 | | 990 |
| | E*1P36C | 95G1UH090CE16 | 15.10 | 13.00 | 28000 | | 1000 |
| | E*1P36C | 95G1DF090CE16 | 15.10 | 13.00 | 28000 | | 1000 |
| 4AC14*R30P-6,-7 | BC*3M30C****P | | 14.00 | 12.20 | 28000 | 21000 | 1000 |
| | BC*3M30E****X | | 15.10 | 13.00 | 28000 | | 1000 |
| | BCS2M36V****P | | 16.00 | 13.00 | 28000 | | 1000 |
| | E*1P19A | 80G1DF045AE12 | 14.25 | 12.00 | 28000 | | 1000 |
| | E*1P19A | 80G1UH045AE12 | 14.50 | 12.00 | 28000 | | 1000 |
| | E*1P19A | 80G2UH070AV12 | 14.50 | 12.00 | 28000 | | 1000 |
| | E*1P23A | 80G1DF045AE12 | 14.50 | 12.00 | 28000 | | 1000 |
| | E*1P23A | 80G1UH045AE12 | 14.50 | 12.00 | 28000 | | 1000 |
| | E*1P23A | 80G2UH070AV12 | 15.10 | 13.00 | 28000 | | 1000 |
| | E*1P29A | 80G1DF045AE12 | 15.10 | 13.00 | 28000 | | 1000 |
| | E*1P29A | 80G2UH070AV12 | 15.10 | 13.00 | 28000 | | 1000 |
| | E*1P29B | 80G2UH090BV16 | 15.10 | 13.00 | 28000 | | 1000 |
| | E*1P29B | 95G1DF045BE12 | 15.10 | 13.00 | 28000 | | 1000 |
| | E*1P29B | 95G1DF070BE16 | 15.10 | 13.00 | 28000 | | 1000 |
| | E*1P29B | 95G1DF090BE16 | 15.10 | 13.00 | 28000 | | 1000 |
| | E*1P29B | 95G1UH045BE12 | 15.10 | 13.00 | 28000 | | 1000 |
| | E*1P29B | 95G1UH070BE12 | 15.10 | 13.00 | 28000 | | 1000 |
| | E*1P29B | 95G1UH090BE16 | 15.10 | 13.00 | 28000 | | 1000 |
| | E*1P29B | 95G2DF045BE12 | 15.10 | 13.00 | 28000 | | 980 |
| | E*1P29B | 95G2DF070BE16 | 15.10 | 13.00 | 28000 | | 1000 |
| | E*1P29B | 95G2DF090BE16 | 15.10 | 13.00 | 28000 | | 990 |
| | E*1P29B | 95G2UH045BE12 | 15.10 | 13.00 | 28000 | | 1000 |
| | E*1P29B | 95G2UH070BE12 | 15.10 | 13.00 | 28000 | | 1000 |
| | E*1P29B | 95G2UH090BE16 | 15.10 | 13.00 | 28000 | | 1000 |
| | E*1P29B | 95G2DF045BV12 | 15.10 | 13.00 | 28000 | | 960 |
| | E*1P29B | 95G2DF070BV16 | 15.10 | 13.00 | 28000 | | 1000 |
| | E*1P29B | 95G2UH045BV12 | 15.10 | 13.00 | 28000 | | 980 |
| | E*1P29B | 95G2UH070BV12 | 15.10 | 13.00 | 28000 | | 960 |
| E*1P29B | 80G1DF070BE12 | 15.10 | 13.00 | 28000 | 1000 | | |
| E*1P29B | 80G1DF090BE16 | 15.10 | 13.00 | 28000 | 1000 | | |

Note:

1 Certified in accordance with Unitary Air Conditioner Certification Program, which is based on AHRI Standard 210/240

2 Required to achieve AHRI rating. If NA (Not Applicable) is in the piston column, then TXV is required

3 A blower time delay relay is required to achieve AHRI rating. This feature is standard on all Allied Air Enterprises furnace and AH products.

COOLING PERFORMANCE WITH AIR HANDLERS AND FURNACES

| Outdoor Model | Indoor Model | Variable Speed Furnace | SEER | EER | AHRI Rated Capacity ¹ BTUH | Sensible Capacity BTUH | CFM |
|------------------------|-------------------------|------------------------|-------|-------|---------------------------------------|------------------------|------|
| | Evap. Coil ³ | | | | | | |
| 4AC14*R30P-6,-7 | E*1P29B | 80GIUH070BE12 | 15.10 | 13.00 | 28000 | 21000 | 1000 |
| | E*1P29B | 80GIUH090BE16 | 15.10 | 13.00 | 28000 | | 1000 |
| | E*1P29B | EFV12BC | 14.50 | 12.20 | 28000 | | 1000 |
| | E*1P30A | 80GIDF045AE12 | 14.50 | 12.20 | 28000 | | 1000 |
| | E*1P30A | 80GIUH045AE12 | 14.50 | 12.20 | 28000 | | 1000 |
| | E*1P30A | 80G2UH070AV12 | 15.10 | 13.00 | 28000 | | 1000 |
| | E*1P30B | 80G2UH090BV16 | 15.10 | 13.00 | 28000 | | 1000 |
| | E*1P30B | 95GIDF045BE12 | 14.50 | 12.20 | 28000 | | 1000 |
| | E*1P30B | 95GIDF070BE16 | 14.50 | 12.20 | 28000 | | 1000 |
| | E*1P30B | 95GIDF090BE16 | 14.50 | 12.20 | 28000 | | 1000 |
| | E*1P30B | 95GIUH045BE12 | 14.50 | 12.20 | 28000 | | 1000 |
| | E*1P30B | 95GIUH070BE12 | 14.50 | 12.20 | 28000 | | 1000 |
| | E*1P30B | 95GIUH090BE16 | 14.50 | 12.20 | 28000 | | 1000 |
| | E*1P30B | 95G2DF045BE12 | 14.50 | 12.20 | 28000 | | 980 |
| | E*1P30B | 95G2DF070BE16 | 14.50 | 12.20 | 28000 | | 1000 |
| | E*1P30B | 95G2DF090BE16 | 14.50 | 12.20 | 28000 | | 990 |
| | E*1P30B | 95G2UH045BE12 | 14.50 | 12.20 | 28000 | | 1000 |
| | E*1P30B | 95G2UH070BE12 | 14.50 | 12.20 | 28000 | | 1000 |
| | E*1P30B | 95G2UH090BE16 | 14.50 | 12.20 | 28000 | | 1000 |
| | E*1P30B | 95G2DF045BV12 | 15.10 | 13.00 | 28000 | | 960 |
| | E*1P30B | 95G2DF070BV16 | 14.50 | 12.20 | 28000 | | 1000 |
| | E*1P30B | 95G2UH045BV12 | 15.10 | 13.00 | 28000 | | 980 |
| | E*1P30B | 95G2UH070BV12 | 15.10 | 13.00 | 28000 | | 960 |
| | E*1P30B | 80GIUH070BE12 | 15.10 | 13.00 | 28000 | | 1000 |
| | E*1P30B | 80GIUH090BE16 | 15.10 | 13.00 | 28000 | | 1000 |
| | E*1P30B | 80GIDF070BE12 | 15.10 | 13.00 | 28000 | | 1000 |
| | E*1P30B | 80GIDF090BE16 | 15.10 | 13.00 | 28000 | | 1000 |
| | E*1P30B | EFV12BC | 14.25 | 12.20 | 28000 | | 1000 |
| | E*1P36A | 80GIDF045AE12 | 15.10 | 13.00 | 28000 | | 1000 |
| | E*1P36A | 80G2UH070AV12 | 16.00 | 13.00 | 28000 | | 1000 |
| | E*1P36B | 80G2UH090BV16 | 16.00 | 13.00 | 28000 | | 1000 |
| | E*1P36B | 95GIDF045BE12 | 15.10 | 13.00 | 28000 | | 1000 |
| | E*1P36B | 95GIDF070BE16 | 15.10 | 13.00 | 28000 | | 1000 |
| | E*1P36B | 95GIDF090BE16 | 15.10 | 13.00 | 28000 | | 1000 |
| | E*1P36B | 95GIUH045BE12 | 15.10 | 13.00 | 28000 | | 1000 |
| | E*1P36B | 95GIUH070BE12 | 15.10 | 13.00 | 28000 | | 1000 |
| | E*1P36B | 95GIUH090BE16 | 15.10 | 13.00 | 28000 | | 1000 |
| | E*1P36B | 95G2DF045BE12 | 15.10 | 13.00 | 28000 | | 980 |
| | E*1P36B | 95G2DF070BE16 | 15.10 | 13.00 | 28000 | | 1000 |
| | E*1P36B | 95G2DF090BE16 | 15.10 | 13.00 | 28000 | | 990 |
| E*1P36B | 95G2UH045BE12 | 15.10 | 13.00 | 28000 | 1015 | | |
| E*1P36B | 95G2UH070BE12 | 15.10 | 13.00 | 28000 | 995 | | |
| E*1P36B | 95G2UH090BE16 | 14.50 | 12.20 | 28000 | 1000 | | |
| E*1P36B | 95G2DF045BV12 | 15.10 | 13.00 | 28000 | 960 | | |

Note:

1 Certified in accordance with Unitary Air Conditioner Certification Program, which is based on AHRI Standard 210/240

2 Required to achieve AHRI rating. If NA (Not Applicable) is in the piston column, then TXV is required

3 A blower time delay relay is required to achieve AHRI rating. This feature is standard on all Allied Air Enterprises furnace and AH products.

COOLING PERFORMANCE WITH AIR HANDLERS AND FURNACES

| Outdoor Model | Indoor Model | Variable Speed Furnace | SEER | EER | AHRI Rated Capacity ¹ BTUH | Sensible Capacity BTUH | CFM |
|-----------------|-------------------------|------------------------|-------|-------|---------------------------------------|------------------------|------|
| | Evap. Coil ² | | | | | | |
| 4AC14*R30P-6,-7 | E*1P36B | 95G2DF070BV16 | 15.10 | 13.00 | 28000 | 21000 | 1000 |
| | E*1P36B | 95G2UH045BV12 | 15.10 | 13.00 | 28000 | | 980 |
| | E*1P36B | 95G2UH070BV12 | 16.00 | 13.00 | 28000 | | 960 |
| | E*1P36B | 80G1DF070BE12 | 16.00 | 13.00 | 28000 | | 1000 |
| | E*1P36B | 80G1DF090BE16 | 16.00 | 13.00 | 28000 | | 1000 |
| | E*1P36B | 80G1UH070BE12 | 16.00 | 13.00 | 28000 | | 1000 |
| | E*1P36B | 80G1UH090BE16 | 16.00 | 13.00 | 28000 | | 1000 |
| | E*1P36B | EFV12BC | 14.50 | 12.20 | 28000 | | 1000 |
| | E*1P36C | 95G2UH090CV12 | 16.00 | 13.00 | 28000 | | 1000 |
| | E*1P48A | 80G1DF045AE12 | 15.10 | 13.00 | 28000 | | 1000 |
| | E*1P48A | 80G2UH070AV12 | 15.10 | 13.00 | 28000 | | 1000 |
| | E*1P48B | 80G2UH090BV16 | 15.10 | 13.00 | 28000 | | 1000 |
| | E*1P48B | 95G1DF045BE12 | 15.10 | 13.00 | 28000 | | 1000 |
| | E*1P48B | 95G1DF070BE16 | 15.10 | 13.00 | 28000 | | 1000 |
| | E*1P48B | 95G1DF090BE16 | 15.10 | 13.00 | 28000 | | 1000 |
| | E*1P48B | 95G1UH045BE12 | 15.10 | 13.00 | 28000 | | 1000 |
| | E*1P48B | 95G1UH070BE12 | 15.10 | 13.00 | 28000 | | 1000 |
| | E*1P48B | 95G1UH090BE16 | 15.10 | 13.00 | 28000 | | 1000 |
| | E*1P48B | 95G2DF045BE12 | 15.10 | 13.00 | 28000 | | 980 |
| | E*1P48B | 95G2DF070BE16 | 15.10 | 13.00 | 28000 | | 1000 |
| | E*1P48B | 95G2DF090BE16 | 15.10 | 13.00 | 28000 | | 1000 |
| | E*1P48B | 95G2UH045BE12 | 15.10 | 13.00 | 28000 | | 1000 |
| | E*1P48B | 95G2UH070BE12 | 15.10 | 13.00 | 28000 | | 1000 |
| | E*1P48B | 95G2UH090BE16 | 15.10 | 13.00 | 28000 | | 1000 |
| | E*1P48B | 95G2DF045BV12 | 15.10 | 13.00 | 28000 | | 960 |
| | E*1P48B | 95G2DF070BV16 | 15.10 | 13.00 | 28000 | | 1000 |
| | E*1P48B | 95G2UH045BV12 | 15.10 | 13.00 | 28000 | | 980 |
| | E*1P48B | 95G2UH070BV12 | 15.10 | 13.00 | 28000 | | 960 |
| | E*1P48B | 80G1DF070BE12 | 15.10 | 13.00 | 28000 | | 1000 |
| | E*1P48B | 80G1DF090BE16 | 15.10 | 13.00 | 28000 | | 1000 |
| | E*1P48B | 80G1UH070BE12 | 15.10 | 13.00 | 28000 | | 1000 |
| | E*1P48B | 80G1UH090BE16 | 15.10 | 13.00 | 28000 | | 1000 |
| E*1P48B | EFV12BC | 14.50 | 12.20 | 28000 | 1000 | | |
| 4AC14*36P-6,-7 | BC*3M36C****P | | 14.00 | 12.20 | 34000 | 25500 | 1200 |
| | BC*3M36E****X | | 14.00 | 12.20 | 34000 | | 1200 |
| | BCS2M36V****P | | 16.00 | 13.00 | 34000 | | 1200 |
| | E*1P36A | 80G2UH070AV12 | 15.10 | 13.00 | 34000 | | 1200 |
| | E*1P36A | 80G1UH045AE12 | 14.50 | 12.20 | 34000 | | 1200 |
| | E*1P36B | 80G1UH090BE16 | 15.10 | 13.00 | 34000 | | 1180 |
| | E*1P36B | 95G2DF045BE12 | 14.50 | 12.20 | 34000 | | 1180 |
| | E*1P36B | 95G2DF070BE16 | 14.50 | 12.20 | 34000 | | 1200 |
| | E*1P36B | 95G2DF090CE20 | 15.10 | 13.00 | 34000 | | 1180 |
| | E*1P36B | 95G2DF110CE20 | 15.10 | 13.00 | 34000 | | 1190 |
| E*1P36B | 95G2UH045BE12 | 14.50 | 12.20 | 34000 | 1190 | | |

Note:

1 Certified in accordance with Unitary Air Conditioner Certification Program, which is based on AHRI Standard 210/240

2 Required to achieve AHRI rating. If NA (Not Applicable) is in the piston column, then TXV is required

3 A blower time delay relay is required to achieve AHRI rating. This feature is standard on all Allied Air Enterprises furnace and AH products.

COOLING PERFORMANCE WITH AIR HANDLERS AND FURNACES

| Outdoor Model | Indoor Model | Variable Speed Furnace | SEER | EER | AHRI Rated Capacity ¹ BTUH | Sensible Capacity BTUH | CFM |
|-----------------------|-------------------------|------------------------|-------|-------|---------------------------------------|------------------------|------|
| | Evap. Coil ³ | | | | | | |
| 4AC14*36P-6,-7 | E*1P36B | 95G2UH070BE12 | 14.50 | 12.20 | 34000 | 25500 | 1200 |
| | E*1P36B | 95G2DF045BV12 | 15.10 | 13.00 | 34000 | | 1200 |
| | E*1P36B | 95G2DF070BV16 | 15.10 | 13.00 | 34000 | | 1200 |
| | E*1P36B | 95G2UH045BV12 | 15.10 | 13.00 | 34000 | | 1200 |
| | E*1P36B | 95G2UH070BV12 | 15.10 | 13.00 | 34000 | | 1200 |
| | E*1P36B | 80G2UH090BV16 | 16.00 | 13.00 | 34000 | | 1200 |
| | E*1P36B | 95G1DF045BE12 | 14.50 | 12.20 | 34000 | | 1200 |
| | E*1P36B | 95G1DF070BE16 | 14.50 | 12.20 | 34000 | | 1200 |
| | E*1P36B | 95G1UH045BE12 | 14.50 | 12.20 | 34000 | | 1200 |
| | E*1P36B | 95G1UH070BE12 | 14.50 | 12.20 | 34000 | | 1200 |
| | E*1P36B | 80G1DF070BE12 | 14.50 | 12.20 | 34000 | | 1200 |
| | E*1P36B | 80G1DF090BE16 | 15.10 | 13.00 | 34000 | | 1200 |
| | E*1P36B | 95G2DF090CV20 | 16.00 | 13.00 | 34000 | | 1200 |
| | E*1P36C | 95G2UH090CV12 | 16.00 | 13.00 | 34000 | | 1200 |
| | E*1P36C | 95G2UH090CE16 | 16.00 | 13.00 | 34000 | | 1200 |
| | E*1P36C | 80G1DF110CE20 | 16.00 | 13.00 | 34000 | | 1200 |
| | E*1P36C | EFV12BC | 15.10 | 13.00 | 34000 | | 1200 |
| | E*1P36C | EFV16BC | 15.10 | 13.00 | 34000 | | 1200 |
| | E*1P36C | 95G1UH090CE16 | 15.10 | 13.00 | 34000 | | 1200 |
| | E*1P36C | 95G1UH110CE20 | 15.10 | 13.00 | 34000 | | 1200 |
| | E*1P36C | 95G1DF090CE16 | 15.10 | 13.00 | 34000 | | 1200 |
| | E*1P36C | 95G1DF110CE20 | 15.10 | 13.00 | 34000 | | 1200 |
| | E*1P36C | 95G2UH110CE20 | 15.10 | 13.00 | 34000 | | 1200 |
| | E*1P36C | 80G1UH090CE20 | 15.10 | 13.00 | 34000 | | 1180 |
| | E*1P43B | 80G1DF070BE12 | 14.50 | 12.50 | 34000 | | 1200 |
| | E*1P43B | 80G1DF090BE16 | 15.10 | 13.00 | 34000 | | 1200 |
| | E*1P43B | 80G2UH090BV16 | 16.00 | 13.00 | 34000 | | 1200 |
| | E*1P43B | 95G1DF045BE12 | 14.50 | 12.20 | 34000 | | 1200 |
| | E*1P43B | 95G1DF070BE16 | 14.50 | 12.20 | 34000 | | 1200 |
| | E*1P43B | 95G2DF045BV12 | 15.10 | 13.00 | 34000 | | 1200 |
| | E*1P43B | 95G2DF070BV16 | 15.10 | 13.00 | 34000 | | 1200 |
| | E*1P43B | 95G2UH045BV12 | 15.10 | 13.00 | 34000 | | 1200 |
| | E*1P43B | 95G2UH070BV12 | 14.50 | 12.50 | 34000 | | 1200 |
| | E*1P43B | 80G1UH070BE12 | 14.50 | 12.20 | 34000 | | 1200 |
| | E*1P43B | 80G1UH090BE16 | 14.50 | 12.50 | 34000 | | 1180 |
| | E*1P43B | 95G1UH045BE12 | 14.50 | 12.20 | 34000 | | 1200 |
| | E*1P43B | 95G1UH070BE12 | 14.50 | 12.20 | 34000 | | 1200 |
| | E*1P43B | 95G2DF045BE12 | 14.50 | 12.20 | 34000 | | 1180 |
| | E*1P43B | 95G2UH045BE12 | 14.50 | 12.20 | 34000 | | 1190 |
| | E*1P43B | 95G2UH070BE12 | 14.50 | 12.20 | 34000 | | 1200 |
| E*1P43C | 95G2UH110CE20 | 15.10 | 13.00 | 34000 | 1200 | | |
| E*1P43C | 95G2DF090CE20 | 15.10 | 13.00 | 34000 | 1180 | | |
| E*1P43C | 95G2DF110CE20 | 15.10 | 13.00 | 34000 | 1190 | | |
| E*1P43C | 95G1UH110CE20 | 15.10 | 13.00 | 34000 | 1200 | | |

Note:

1 Certified in accordance with Unitary Air Conditioner Certification Program, which is based on AHRI Standard 210/240

2 Required to achieve AHRI rating. If NA (Not Applicable) is in the piston column, then TXV is required

3 A blower time delay relay is required to achieve AHRI rating. This feature is standard on all Allied Air Enterprises furnace and AH products.

COOLING PERFORMANCE WITH AIR HANDLERS AND FURNACES

| Outdoor Model | Indoor Model | Variable Speed Furnace | SEER | EER | AHRI Rated Capacity ¹ BTUH | Sensible Capacity BTUH | CFM |
|------------------------|-------------------------|------------------------|-------|-------|---------------------------------------|------------------------|------|
| | Evap. Coil ³ | | | | | | |
| 4AC14*36P-6,-7 | E*1P43C | 80G1UH090CE20 | 14.50 | 12.50 | 34000 | 25500 | 1180 |
| | E*1P43C | 95G1UH090CE16 | 16.00 | 13.00 | 34000 | | 1200 |
| | E*1P43C | 95G2UH090CE16 | 16.00 | 13.00 | 34000 | | 1200 |
| | E*1P43C | 95G2DF090CV20 | 16.00 | 13.00 | 34000 | | 1200 |
| | E*1P43C | 95G2UH090CV12 | 16.00 | 13.00 | 34000 | | 1200 |
| | E*1P43C | 95G1DF090CE16 | 15.10 | 13.00 | 34000 | | 1200 |
| | E*1P43C | 95G1DF110CE20 | 15.10 | 13.00 | 34000 | | 1200 |
| | E*1P43C | 80G1DF110CE20 | 16.00 | 13.00 | 34000 | | 1200 |
| | E*1P43C | EFV12BC | 15.10 | 13.00 | 34000 | | 1200 |
| | E*1P43C | EFV16BC | 15.10 | 13.00 | 34000 | | 1200 |
| 4AC14*R36P-6,-7 | BC*3M36C****P | | 14.00 | 12.20 | 34000 | 25500 | 1200 |
| | BC*3M36E****X | | 14.00 | 12.20 | 34000 | | 1200 |
| | BCS2M36V****P | | 16.00 | 13.00 | 34000 | | 1200 |
| | E*1P29B | 80G1DF070BE12 | 14.50 | 12.20 | 34000 | | 1220 |
| | E*1P29B | 80G1DF090BE16 | 15.10 | 13.00 | 34000 | | 1200 |
| | E*1P29B | 80G1DF0110BE20 | 15.10 | 13.00 | 34000 | | 1200 |
| | E*1P29B | 80G1UH090BE16 | 14.50 | 12.20 | 34000 | | 1180 |
| | E*1P29B | 80G2UH090BV16 | 15.10 | 13.00 | 34000 | | 1200 |
| | E*1P29B | 95G1DF045BE12 | 14.25 | 12.20 | 34000 | | 1230 |
| | E*1P29B | 95G1UH045BE12 | 14.25 | 12.20 | 34000 | | 1190 |
| | E*1P29B | 95G1UH070BE12 | 14.25 | 12.20 | 34000 | | 1200 |
| | E*1P29B | 95G2DF045BE12 | 14.25 | 12.20 | 34000 | | 1185 |
| | E*1P29B | 95G2UH045BE12 | 14.50 | 12.20 | 34000 | | 1190 |
| | E*1P29B | 95G2UH070BE12 | 14.50 | 12.20 | 34000 | | 1200 |
| | E*1P29B | 95G2DF045BV12 | 14.50 | 12.20 | 34000 | | 1200 |
| | E*1P29B | 95G2DF070BV16 | 14.50 | 12.20 | 34000 | | 1230 |
| | E*1P29B | 95G2UH045BV12 | 14.50 | 12.20 | 34000 | | 1200 |
| | E*1P29B | 95G2UH070BV12 | 14.50 | 12.20 | 34000 | | 1210 |
| | E*1P36B | 80G2UH090BV16 | 16.00 | 13.00 | 34000 | | 1200 |
| | E*1P36B | 95G1DF045BE12 | 14.50 | 12.20 | 34000 | | 1200 |
| | E*1P36B | 95G1DF070BE16 | 14.50 | 12.20 | 34000 | | 1200 |
| | E*1P36B | 95G1UH045BE12 | 14.50 | 12.20 | 34000 | | 1200 |
| | E*1P36B | 95G1UH070BE12 | 14.50 | 12.20 | 34000 | | 1200 |
| | E*1P36B | 95G2DF045BE12 | 14.50 | 12.20 | 34000 | | 1180 |
| | E*1P36B | 95G2DF070BE16 | 14.50 | 12.20 | 34000 | | 1200 |
| | E*1P36B | A95DF2E090C16 | 15.10 | 13.00 | 34000 | | 1180 |
| | E*1P36B | 95G2DF110CE20 | 15.10 | 13.00 | 34000 | | 1190 |
| | E*1P36B | 95G2UH045BE12 | 14.50 | 12.20 | 34000 | | 1190 |
| | E*1P36B | 95G2UH070BE12 | 14.50 | 12.20 | 34000 | | 1200 |
| | E*1P36B | 95G2DF045BV12 | 15.10 | 13.00 | 34000 | | 1200 |
| | E*1P36B | 95G2DF070BV16 | 15.10 | 13.00 | 34000 | | 1200 |
| | E*1P36B | 95G2UH045BV12 | 15.10 | 13.00 | 34000 | | 1200 |
| E*1P36B | 95G2UH070BV12 | 15.10 | 13.00 | 34000 | 1200 | | |
| E*1P36B | 80G1DF070BE12 | 14.50 | 12.20 | 34000 | 1200 | | |

Note:

1 Certified in accordance with Unitary Air Conditioner Certification Program, which is based on AHRI Standard 210/240

2 Required to achieve AHRI rating. If NA (Not Applicable) is in the piston column, then TXV is required

3 A blower time delay relay is required to achieve AHRI rating. This feature is standard on all Allied Air Enterprises furnace and AH products.

COOLING PERFORMANCE WITH AIR HANDLERS AND FURNACES

| Outdoor Model | Indoor Model | Variable Speed Furnace | SEER | EER | AHRI Rated Capacity ¹ BTUH | Sensible Capacity BTUH | CFM |
|------------------------|-------------------------|------------------------|-------|-------|---------------------------------------|------------------------|------|
| | Evap. Coil ³ | | | | | | |
| 4AC14*R36P-6,-7 | E*1P36B | 80G1DF090BE16 | 15.10 | 13.00 | 34000 | 25500 | 1200 |
| | E*1P36B | 80G1DF0110BE20 | 16.00 | 13.00 | 34000 | | 1200 |
| | E*1P36B | 80G1UH090BE16 | 15.10 | 13.00 | 34000 | | 1180 |
| | E*1P36C | 80G1UH090CE20 | 15.10 | 13.00 | 34000 | | 1180 |
| | E*1P36C | 95G2UH110CE20 | 15.10 | 13.00 | 34000 | | 1200 |
| | E*1P36C | 95G1UH090CE16 | 15.10 | 13.00 | 34000 | | 1200 |
| | E*1P36C | A95UH1E110C20 | 15.10 | 13.00 | 34000 | | 1200 |
| | E*1P36C | 95G1DF090CE16 | 15.10 | 13.00 | 34000 | | 1200 |
| | E*1P36C | 95G1DF110CE20 | 15.10 | 13.00 | 34000 | | 1200 |
| | E*1P36C | EFV12BC | 15.10 | 13.00 | 34000 | | 1200 |
| | E*1P36C | EFV16BC | 15.10 | 13.00 | 34000 | | 1200 |
| | E*1P43B | 95G1UH045BE12 | 14.50 | 12.20 | 34000 | | 1200 |
| | E*1P43B | 95G1UH070BE12 | 14.50 | 12.20 | 34000 | | 1200 |
| | E*1P43B | 95G2DF045BE12 | 14.50 | 12.20 | 34000 | | 1180 |
| | E*1P43B | 95G2UH045BE12 | 14.50 | 12.20 | 34000 | | 1190 |
| | E*1P43B | 95G2UH070BE12 | 14.50 | 12.20 | 34000 | | 1200 |
| | E*1P43B | 80G1DF070BE12 | 14.50 | 12.50 | 34000 | | 1200 |
| | E*1P43B | 80G1DF090BE16 | 15.10 | 13.00 | 34000 | | 1200 |
| | E*1P43B | 80G1DF0110BE20 | 16.00 | 13.00 | 34000 | | 1200 |
| | E*1P43B | 80G1UH070BE12 | 14.50 | 12.20 | 34000 | | 1200 |
| | E*1P43B | 80G1UH090BE16 | 14.50 | 12.50 | 34000 | | 1180 |
| | E*1P43B | 80G2UH090BV16 | 16.00 | 13.00 | 34000 | | 1200 |
| | E*1P43B | 95G1DF045BE12 | 14.50 | 12.20 | 34000 | | 1200 |
| | E*1P43B | 95G1DF070BE16 | 14.50 | 12.20 | 34000 | | 1200 |
| | E*1P43B | 95G2DF045BV12 | 15.10 | 13.00 | 34000 | | 1200 |
| | E*1P43B | 95G2DF070BV16 | 15.10 | 13.00 | 34000 | | 1200 |
| | E*1P43B | 95G2UH045BV12 | 15.10 | 13.00 | 34000 | | 1200 |
| | E*1P43B | 95G2UH070BV12 | 14.50 | 12.50 | 34000 | | 1200 |
| | E*1P43C | 95G1DF090CE16 | 15.10 | 13.00 | 34000 | | 1200 |
| | E*1P43C | 95G1DF110CE20 | 15.10 | 13.00 | 34000 | | 1200 |
| | E*1P43C | 80G1UH090CE20 | 14.50 | 12.50 | 34000 | | 1180 |
| | E*1P43C | 95G2UH110CE20 | 15.10 | 13.00 | 34000 | | 1200 |
| | E*1P43C | A95DF2E090C16 | 15.10 | 13.00 | 34000 | | 1180 |
| | E*1P43C | 95G2DF110CE20 | 15.10 | 13.00 | 34000 | | 1190 |
| | E*1P43C | A95UH1E110C20 | 15.10 | 13.00 | 34000 | | 1200 |
| | E*1P43C | EFV12BC | 15.10 | 13.00 | 34000 | | 1200 |
| E*1P43C | EFV16BC | 15.10 | 13.00 | 34000 | 1200 | | |
| 4AC14L41P-6,-7 | BC*3M42E****X | | 16.00 | 13.00 | 37000 | 28000 | 1380 |
| | BCE3M36C****P+TXV | | 14.00 | 12.00 | 38000 | | 1200 |
| | BCS2M42V****P+TXV | | 16.00 | 13.00 | 38000 | | 1400 |
| | BCS3M42C****P | | 14.00 | 12.00 | 37000 | | 1380 |
| | BCS3M42C****P+TXV | | 14.00 | 12.00 | 38000 | | 1200 |
| | E(C,H,U)1P49C | 80G2UH110CV20 | 15.10 | 12.50 | 38000 | | 1400 |
| | E(C,H,U)1P49C | 95G1DF090CE16 | 15.10 | 12.50 | 38000 | | 1400 |

Note:

1 Certified in accordance with Unitary Air Conditioner Certification Program, which is based on AHRI Standard 210/240

2 Required to achieve AHRI rating. If NA (Not Applicable) is in the piston column, then TXV is required

3 A blower time delay relay is required to achieve AHRI rating. This feature is standard on all Allied Air Enterprises furnace and AH products.

COOLING PERFORMANCE WITH AIR HANDLERS AND FURNACES

| Outdoor Model | Indoor Model | Variable Speed Furnace | SEER | EER | AHRI Rated Capacity ¹ BTUH | Sensible Capacity BTUH | CFM |
|-----------------------|-------------------------|------------------------|-------|-------|---------------------------------------|------------------------|------|
| | Evap. Coil ² | | | | | | |
| 4AC14L41P-6,-7 | E(C,H,U)1P49C | 80G1UH090CE20 | 15.10 | 12.50 | 38000 | 28000 | 1400 |
| | E(C,H,U)1P49C | 80G1UH110CE20 | 15.10 | 12.50 | 38000 | | 1400 |
| | E(C,H,U)1P49C | 80G1DF110CE20 | 15.10 | 12.50 | 38000 | | 1400 |
| | E(C,H,U)1P49C | 95G1DF110CE20 | 15.10 | 12.50 | 38000 | | 1400 |
| | E(C,H,U)1P49C | 95G1UH090CE16 | 16.00 | 13.00 | 38000 | | 1350 |
| | E(C,H,U)1P49C | 95G2DF090CV20 | 15.10 | 12.50 | 38000 | | 1400 |
| | E(C,H,U)1P49C | 95G2DF110CV20 | 15.10 | 12.50 | 38000 | | 1400 |
| | E(C,H,U)1P49C | 95G2UH090CV20 | 15.10 | 12.50 | 38000 | | 1400 |
| | E(C,H,U)1P49C | 95G2UH110CV20 | 15.10 | 12.50 | 38000 | | 1400 |
| | E(C,H,U)1P49C | 95G2DF110CE20 | 15.10 | 12.50 | 38000 | | 1400 |
| | E(C,H,U)1P49C | 95G2UH090CE16 | 16.00 | 13.00 | 38000 | | 1350 |
| | E(C,H,U)1P49C | 95G2UH110CE20 | 15.10 | 12.50 | 38000 | | 1400 |
| | E(C,H,U)1P49C | 95G2DF090CE16 | 15.10 | 12.50 | 38000 | | 1400 |
| | E(C,H,U)1P49C | 95G1UH110CE20 | 15.10 | 12.50 | 38000 | | 1400 |
| | E(C,H,U)1P49C+TDR | EFV16CC | 15.10 | 12.50 | 38000 | | 1400 |
| | E(C,H,U)1P49C+TXV | 95G2UH110CV20 | 15.10 | 12.50 | 38000 | | 1400 |
| | E(C,H,U)1P49C+TXV | 95G2DF090CE16 | 15.10 | 12.50 | 38000 | | 1400 |
| | E(C,H,U)1P49C+TXV | 95G2DF110CE20 | 15.10 | 12.50 | 38000 | | 1400 |
| | E(C,H,U)1P49C+TXV | 95G2UH090CE16 | 16.00 | 13.00 | 38000 | | 1350 |
| | E(C,H,U)1P49C+TXV | 95G2UH110CE20 | 15.10 | 12.50 | 38000 | | 1400 |
| | E(C,H,U)1P49C+TXV | 80G1DF110CE20 | 15.10 | 12.50 | 38000 | | 1400 |
| | E(C,H,U)1P49C+TXV | 80G1UH090CE20 | 15.10 | 12.50 | 38000 | | 1400 |
| | E(C,H,U)1P49C+TXV | 80G1UH110CE20 | 15.10 | 12.50 | 38000 | | 1400 |
| | E(C,H,U)1P49C+TXV | 80G2UH110CV20 | 15.10 | 12.50 | 38000 | | 1400 |
| | E(C,H,U)1P49C+TXV | 95G1DF090CE16 | 15.10 | 12.50 | 38000 | | 1400 |
| | E(C,H,U)1P49C+TXV | 95G1DF110CE20 | 15.10 | 12.50 | 38000 | | 1400 |
| | E(C,H,U)1P49C+TXV | 95G1UH090CE16 | 16.00 | 13.00 | 38000 | | 1350 |
| | E(C,H,U)1P49C+TXV | 95G1UH110CE20 | 15.10 | 12.50 | 38000 | | 1400 |
| | E(C,H,U)1P49C+TXV | 95G2DF090CV20 | 15.10 | 12.50 | 38000 | | 1400 |
| | E(C,H,U)1P49C+TXV | 95G2DF110CV20 | 15.10 | 12.50 | 38000 | | 1400 |
| | E(C,H,U)1P49C+TXV | 95G2UH090CV20 | 15.10 | 12.50 | 38000 | | 1400 |
| | E(C,H,U)1P49C+TXV+TDR | EFV16CC | 15.10 | 12.50 | 38000 | | 1400 |
| | E(C,H,U)1P62C | 80G1DF110CE20 | 15.10 | 12.50 | 38000 | | 1400 |
| | E(C,H,U)1P62C | 80G1UH090CE20 | 15.10 | 12.50 | 38000 | | 1400 |
| | E(C,H,U)1P62C | 80G1UH110CE20 | 15.10 | 12.50 | 38000 | | 1400 |
| | E(C,H,U)1P62C | 95G2UH090CV20 | 15.10 | 12.50 | 38000 | | 1400 |
| E(C,H,U)1P62C | 95G2UH110CV20 | 15.10 | 12.50 | 38000 | 1400 | | |
| E(C,H,U)1P62C | 95G1DF090CE16 | 15.10 | 12.50 | 38000 | 1400 | | |
| E(C,H,U)1P62C | 95G1DF110CE20 | 15.10 | 12.50 | 38000 | 1400 | | |
| E(C,H,U)1P62C | 95G1UH090CE16 | 16.00 | 13.00 | 38000 | 1350 | | |
| E(C,H,U)1P62C | 95G1UH110CE20 | 15.10 | 12.50 | 38000 | 1400 | | |
| E(C,H,U)1P62C | 95G2DF090CV20 | 15.10 | 12.50 | 38000 | 1400 | | |
| E(C,H,U)1P62C | 95G2DF110CV20 | 15.10 | 12.50 | 38000 | 1400 | | |
| E(C,H,U)1P62C | 95G2DF090CE16 | 15.10 | 12.50 | 38000 | 1400 | | |

Note:

1 Certified in accordance with Unitary Air Conditioner Certification Program, which is based on AHRI Standard 210/240

2 Required to achieve AHRI rating. If NA (Not Applicable) is in the piston column, then TXV is required

3 A blower time delay relay is required to achieve AHRI rating. This feature is standard on all Allied Air Enterprises furnace and AH products.

COOLING PERFORMANCE WITH AIR HANDLERS AND FURNACES

| Outdoor Model | Indoor Model | Variable Speed Furnace | SEER | EER | AHRI Rated Capacity ¹ BTUH | Sensible Capacity BTUH | CFM |
|-----------------------|-------------------------|------------------------|-------|-------|---------------------------------------|------------------------|------|
| | Evap. Coil ³ | | | | | | |
| 4AC14L41P-6,-7 | E(C,H,U)1P62C | 95G2DF110CE20 | 15.10 | 12.50 | 38000 | 28000 | 1400 |
| | E(C,H,U)1P62C | 95G2UH090CE16 | 16.00 | 13.00 | 38000 | | 1350 |
| | E(C,H,U)1P62C | 95G2UH110CE20 | 15.10 | 12.50 | 38000 | | 1400 |
| | E(C,H,U)1P62C | 80G2UH110CV20 | 15.10 | 12.50 | 38000 | | 1400 |
| | E(C,H,U)1P62C+TDR | EFV16CC | 15.10 | 12.50 | 38000 | | 1400 |
| | E(C,H,U)1P62C+TXV | 95G2DF090CE16 | 15.10 | 12.50 | 38000 | | 1400 |
| | E(C,H,U)1P62C+TXV | 95G2DF110CE20 | 15.10 | 12.50 | 38000 | | 1400 |
| | E(C,H,U)1P62C+TXV | 95G2UH090CE16 | 16.00 | 13.00 | 38000 | | 1350 |
| | E(C,H,U)1P62C+TXV | 95G2UH110CE20 | 15.10 | 12.50 | 38000 | | 1400 |
| | E(C,H,U)1P62C+TXV | 80G1DF110CE20 | 15.10 | 12.50 | 38000 | | 1400 |
| | E(C,H,U)1P62C+TXV | 80G1UH090CE20 | 15.10 | 12.50 | 38000 | | 1400 |
| | E(C,H,U)1P62C+TXV | 80G1UH110CE20 | 15.10 | 12.50 | 38000 | | 1400 |
| | E(C,H,U)1P62C+TXV | 80G2UH110CV20 | 15.10 | 12.50 | 38000 | | 1400 |
| | E(C,H,U)1P62C+TXV | 95G1DF090CE16 | 15.10 | 12.50 | 38000 | | 1400 |
| | E(C,H,U)1P62C+TXV | 95G1DF110CE20 | 15.10 | 12.50 | 38000 | | 1400 |
| | E(C,H,U)1P62C+TXV | 95G1UH090CE16 | 16.00 | 13.00 | 38000 | | 1350 |
| | E(C,H,U)1P62C+TXV | 95G1UH110CE20 | 15.10 | 12.50 | 38000 | | 1400 |
| | E(C,H,U)1P62C+TXV | 95G2DF090CV20 | 15.10 | 12.50 | 38000 | | 1400 |
| | E(C,H,U)1P62C+TXV | 95G2DF110CV20 | 15.10 | 12.50 | 38000 | | 1400 |
| | E(C,H,U)1P62C+TXV | 95G2UH090CV20 | 15.10 | 12.50 | 38000 | | 1400 |
| | E(C,H,U)1P62C+TXV | 95G2UH110CV20 | 15.10 | 12.50 | 38000 | | 1400 |
| | E(C,H,U)1P62C+TXV+TDR | EFV16CC | 15.10 | 12.50 | 38000 | | 1400 |
| E(C,H,U)1P62C+TXV+TDR | | 14.00 | 12.00 | 38000 | 1400 | | |
| 4AC14*42P-6,-7 | BC*3M42C****P | | 14.00 | 12.20 | 40000 | 30000 | 1400 |
| | BC*3M42E****X | | 14.50 | 12.20 | 40000 | | 1400 |
| | BCS2M42V****P | | 15.10 | 12.20 | 40000 | | 1400 |
| | E*1P49C | EFV16CC | 14.00 | 12.20 | 41000 | | 1400 |
| | E*1P49C | 95G2UH110CV20 | 15.10 | 12.50 | 41000 | | 1400 |
| | E*1P49C | 95G2UH090CV20 | 15.10 | 12.50 | 41000 | | 1400 |
| | E*1P49C | 95G2UH110CE20 | 14.50 | 12.20 | 41000 | | 1400 |
| | E*1P49C | 95G2UH090CE16 | 14.00 | 12.20 | 41000 | | 1400 |
| | E*1P49C | 95G1UH110CE20 | 14.00 | 12.20 | 41000 | | 1400 |
| | E*1P49C | 95G1UH090CE16 | 14.00 | 12.20 | 41000 | | 1400 |
| | E*1P49C | 95G2DF110CV20 | 14.50 | 12.20 | 41000 | | 1400 |
| | E*1P49C | 95G2DF090CV20 | 14.00 | 12.20 | 41000 | | 1400 |
| | E*1P49C | 95G2DF110CE20 | 14.50 | 12.20 | 41000 | | 1400 |
| | E*1P49C | 95G2DF090CE20 | 14.00 | 12.20 | 41000 | | 1400 |
| | E*1P49C | 95G1DF110CE20 | 14.50 | 12.20 | 41000 | | 1400 |
| | E*1P49C | 95G1DF090CE16 | 14.00 | 12.20 | 41000 | | 1400 |
| | E*1P49C | 80G2UH110CV20 | 15.10 | 12.50 | 41000 | | 1400 |
| | E*1P49C | 80G1UH110CE20 | 15.10 | 12.50 | 41000 | | 1400 |
| | E*1P49C | 80G1UH090CE20 | 15.10 | 12.50 | 41000 | | 1400 |
| | E*1P49C | 80G1DF110CE20 | 15.10 | 12.50 | 41000 | | 1400 |
| E*1P62C | EFV16CC | 14.50 | 12.20 | 41000 | 1400 | | |

Note:

1 Certified in accordance with Unitary Air Conditioner Certification Program, which is based on AHRI Standard 210/240

2 Required to achieve AHRI rating. If NA (Not Applicable) is in the piston column, then TXV is required

3 A blower time delay relay is required to achieve AHRI rating. This feature is standard on all Allied Air Enterprises furnace and AH products.

COOLING PERFORMANCE WITH AIR HANDLERS AND FURNACES

| Outdoor Model | Indoor Model | Variable Speed Furnace | SEER | EER | AHRI Rated Capacity ¹ BTUH | Sensible Capacity BTUH | CFM |
|-----------------------|-------------------------|------------------------|-------|-------|---------------------------------------|------------------------|-------|
| | Evap. Coil ³ | | | | | | |
| 4AC14*42P-6,-7 | E*1P62C | 95G2UH110CV20 | 15.10 | 12.50 | 41000 | 30000 | 1400 |
| | E*1P62C | 95G2UH090CV20 | 15.10 | 12.50 | 41000 | | 1400 |
| | E*1P62C | 95G2UH110CE20 | 15.10 | 12.50 | 41000 | | 1400 |
| | E*1P62C | 95G2UH090CE16 | 14.00 | 12.20 | 41000 | | 1400 |
| | E*1P62C | 95G1UH110CE20 | 14.00 | 12.20 | 41000 | | 1400 |
| | E*1P62C | 95G1UH090CE16 | 14.00 | 12.20 | 41000 | | 1400 |
| | E*1P62C | 95G2DF110CV20 | 14.50 | 12.20 | 41000 | | 1400 |
| | E*1P62C | 95G2DF090CV20 | 14.50 | 12.20 | 41000 | | 1400 |
| | E*1P62C | 95G2DF110CE20 | 15.10 | 12.50 | 41000 | | 1400 |
| | E*1P62C | 95G2DF090CE20 | 14.00 | 12.20 | 41000 | | 1400 |
| | E*1P62C | 95G1DF110CE20 | 15.10 | 12.50 | 41000 | | 1400 |
| | E*1P62C | 95G1DF090CE16 | 14.00 | 12.20 | 41000 | | 1400 |
| | E*1P62C | 80G2UH110CV20 | 15.10 | 12.50 | 41000 | | 1400 |
| | E*1P62C | 80G1UH110CE20 | 15.10 | 12.50 | 41000 | | 1400 |
| | E*1P62C | 80G1UH090CE20 | 15.10 | 12.50 | 41000 | | 1400 |
| | E*1P62C | 80G1DF110CE20 | 15.10 | 12.50 | 41000 | | 1400 |
| | 4AC14*R42P-6,-7 | BC*3M42C****P | | 14.00 | 12.20 | | 40000 |
| BC*3M42E****X | | | 14.50 | 12.20 | 40000 | 1400 | |
| BCS2M42V****P | | | 15.10 | 12.20 | 40000 | 1400 | |
| E*1P43C | | | 14.00 | 12.00 | 40000 | 1400 | |
| E*1P43C | | EFV16CC | 14.00 | 12.00 | 41000 | 1400 | |
| E*1P43C | | 95G2UH110CV20 | 15.10 | 13.00 | 41000 | 1400 | |
| E*1P43C | | 95G2UH090CV20 | 14.50 | 12.00 | 41000 | 1400 | |
| E*1P43C | | 95G2UH110CE20 | 14.00 | 12.00 | 41000 | 1400 | |
| E*1P43C | | 95G2UH090CE16 | 14.00 | 12.00 | 41000 | 1400 | |
| E*1P43C | | A95UH1E110C20 | 14.00 | 12.00 | 41000 | 1400 | |
| E*1P43C | | 95G1UH090CE16 | 14.00 | 12.00 | 41000 | 1400 | |
| E*1P43C | | 95G2DF110CV20 | 14.00 | 12.00 | 41000 | 1400 | |
| E*1P43C | | 95G2DF110CE20 | 14.50 | 12.00 | 41000 | 1400 | |
| E*1P43C | | A95DF2E090C16 | 14.00 | 12.00 | 41000 | 1400 | |
| E*1P43C | | 95G1DF110CE20 | 14.50 | 12.00 | 41000 | 1400 | |
| E*1P43C | | 95G1DF090CE16 | 14.00 | 12.00 | 41000 | 1400 | |
| E*1P43C | | 80G2UH110CV20 | 14.50 | 12.00 | 41000 | 1400 | |
| E*1P43C | | 80G1UH110CE20 | 15.10 | 13.00 | 41000 | 1400 | |
| E*1P43C | | 80G1UH090CE20 | 15.10 | 13.00 | 41000 | 1400 | |
| E*1P43C | | 80G1DF110CE20 | 15.10 | 13.00 | 41000 | 1400 | |
| E*1P49C | | 95G2UH110CV20 | 15.10 | 12.50 | 41000 | 1400 | |
| E*1P49C | | 95G2UH090CV20 | 15.10 | 12.50 | 41000 | 1400 | |
| E*1P49C | | 95G2UH110CE20 | 14.50 | 12.20 | 41000 | 1400 | |
| E*1P49C | | 95G2UH090CE16 | 14.00 | 12.20 | 41000 | 1400 | |
| E*1P49C | | A95UH1E110C20 | 14.00 | 12.20 | 41000 | 1400 | |
| E*1P49C | | 95G1UH090CE16 | 14.00 | 12.20 | 41000 | 1400 | |
| E*1P49C | | 95G2DF110CV20 | 14.50 | 12.20 | 41000 | 1400 | |
| E*1P49C | 95G2DF090CV20 | 14.00 | 12.20 | 41000 | 1400 | | |

Note:

1 Certified in accordance with Unitary Air Conditioner Certification Program, which is based on AHRI Standard 210/240

2 Required to achieve AHRI rating. If NA (Not Applicable) is in the piston column, then TXV is required

3 A blower time delay relay is required to achieve AHRI rating. This feature is standard on all Allied Air Enterprises furnace and AH products.

COOLING PERFORMANCE WITH AIR HANDLERS AND FURNACES

| Outdoor Model | Indoor Model | Variable Speed Furnace | SEER | EER | AHRI Rated Capacity ¹ BTUH | Sensible Capacity BTUH | CFM |
|------------------------|-------------------------|------------------------|-------|-------|---------------------------------------|------------------------|------|
| | Evap. Coil ³ | | | | | | |
| 4AC14*R42P-6,-7 | E*1P49C | 95G2DF110CE20 | 14.50 | 12.20 | 41000 | 30000 | 1400 |
| | E*1P49C | A95DF2E090C16 | 14.00 | 12.20 | 41000 | | 1400 |
| | E*1P49C | 95G1DF110CE20 | 14.50 | 12.20 | 41000 | | 1400 |
| | E*1P49C | 95G1DF090CE16 | 14.00 | 12.20 | 41000 | | 1400 |
| | E*1P49C | 80G2UH110CV20 | 15.10 | 12.50 | 41000 | | 1400 |
| | E*1P49C | 80G1UH110CE20 | 15.10 | 12.50 | 41000 | | 1400 |
| | E*1P49C | 80G1UH090CE20 | 15.10 | 12.50 | 41000 | | 1400 |
| | E*1P49C | 80G1DF110CE20 | 15.10 | 12.50 | 41000 | | 1400 |
| | E*1P62C | EFV16CC | 14.50 | 12.20 | 41000 | | 1400 |
| | E*1P62C | 95G2UH110CV20 | 15.10 | 12.50 | 41000 | | 1400 |
| | E*1P62C | 95G2UH090CV20 | 15.10 | 12.50 | 41000 | | 1400 |
| | E*1P62C | 95G2UH110CE20 | 15.10 | 12.50 | 41000 | | 1400 |
| | E*1P62C | 95G2UH090CE16 | 14.00 | 12.20 | 41000 | | 1400 |
| | E*1P62C | A95UH1E110C20 | 14.00 | 12.20 | 41000 | | 1400 |
| | E*1P62C | 95G1UH090CE16 | 14.00 | 12.20 | 41000 | | 1400 |
| | E*1P62C | 95G2DF110CV20 | 14.50 | 12.20 | 41000 | | 1400 |
| | E*1P62C | 95G2DF110CE20 | 15.10 | 12.50 | 41000 | | 1400 |
| | E*1P62C | A95DF2E090C16 | 14.00 | 12.20 | 41000 | | 1400 |
| | E*1P62C | 95G1DF110CE20 | 15.10 | 12.50 | 41000 | | 1400 |
| | E*1P62C | 95G1DF090CE16 | 14.00 | 12.20 | 41000 | | 1400 |
| | E*1P62C | 80G2UH110CV20 | 15.10 | 12.50 | 41000 | | 1400 |
| | E*1P62C | 80G1UH110CE20 | 15.10 | 12.50 | 41000 | | 1400 |
| | E*1P62C | 80G1UH090CE20 | 15.10 | 12.50 | 41000 | | 1400 |
| | E*1P62C | 80G1DF110CE20 | 15.10 | 12.50 | 41000 | | 1400 |
| 4AC14L47P-6,-7 | BC*3M48C****P | | 14.00 | 12.00 | 45500 | 35000 | 1600 |
| | BC*3M48E****X | | 16.00 | 13.00 | 45500 | | 1600 |
| | BCE3M48C****P+TXV | | 14.00 | 12.00 | 45500 | | 1600 |
| | BCS2M48V****P+TXV | | 16.00 | 13.00 | 46000 | | 1600 |
| | E(C,H,U)1P49C+TXV | 95G2UH090CV20 | 15.10 | 12.50 | 46000 | | 1600 |
| | E(C,H,U)1P49C+TXV | 95G2DF110CV20 | 14.50 | 12.00 | 46000 | | 1600 |
| | E(C,H,U)1P49C+TXV | 95G2DF090CV20 | 14.50 | 12.00 | 46000 | | 1600 |
| | E(C,H,U)1P49C+TXV | 95G2UH110CV20 | 15.00 | 12.50 | 46000 | | 1600 |
| | E(C,H,U)1P49C+TXV | 95G1DF110CE20 | 15.10 | 12.50 | 46000 | | 1500 |
| | E(C,H,U)1P49C+TXV | 95G1UH110CE20 | 15.10 | 12.50 | 46000 | | 1500 |
| | E(C,H,U)1P49C+TXV | 95G2DF110CE20 | 15.10 | 12.50 | 46000 | | 1500 |
| | E(C,H,U)1P49C+TXV | 95G2UH110CE20 | 16.00 | 13.00 | 46000 | | 1500 |
| | E(C,H,U)1P49C+TXV | 80G1UH090CE20 | 16.00 | 13.00 | 46000 | | 1700 |
| | E(C,H,U)1P49C+TXV | 80G2UH110CV20 | 16.00 | 13.00 | 46000 | | 1600 |
| | E(C,H,U)1P49C+TXV | 80G1UH110CE20 | 15.10 | 12.50 | 46000 | | 1700 |
| | E(C,H,U)1P49C+TXV | 80G1DF110CE20 | 16.00 | 13.00 | 46000 | | 1550 |
| | E(C,H,U)1P62C+TXV | 95G2DF110CV20 | 14.50 | 12.00 | 46000 | | 1600 |
| | E(C,H,U)1P62C+TXV | 80G2UH110CV20 | 16.00 | 13.00 | 46000 | | 1600 |
| E(C,H,U)1P62C+TXV | 95G1DF110CE20 | 16.00 | 13.00 | 46000 | 1500 | | |
| E(C,H,U)1P62C+TXV | 95G1UH110CE20 | 16.00 | 13.00 | 46000 | 1500 | | |

Note:

1 Certified in accordance with Unitary Air Conditioner Certification Program, which is based on AHRI Standard 210/240

2 Required to achieve AHRI rating. If NA (Not Applicable) is in the piston column, then TXV is required

3 A blower time delay relay is required to achieve AHRI rating. This feature is standard on all Allied Air Enterprises furnace and AH products.

COOLING PERFORMANCE WITH AIR HANDLERS AND FURNACES

| Outdoor Model | Indoor Model | Variable Speed Furnace | SEER | EER | AHRI Rated Capacity ¹ BTUH | Sensible Capacity BTUH | CFM |
|-----------------------|-------------------------|------------------------|-------|-------|---------------------------------------|------------------------|------|
| | Evap. Coil ² | | | | | | |
| 4AC14L47P-6,-7 | E(C,H,U)1P62C+TXV | 95G2UH110CV20 | 15.10 | 12.50 | 46000 | 35000 | 1600 |
| | E(C,H,U)1P62C+TXV | 95G2DF090CV20 | 14.50 | 12.00 | 46000 | | 1600 |
| | E(C,H,U)1P62C+TXV | 95G2UH090CV20 | 15.10 | 12.50 | 46000 | | 1600 |
| | E(C,H,U)1P62C+TXV | 95G2DF110CE20 | 15.10 | 12.00 | 46000 | | 1500 |
| | E(C,H,U)1P62C+TXV | 95G2UH110CE20 | 15.10 | 12.50 | 46000 | | 1500 |
| | E(C,H,U)1P62C+TXV | 80G1UH110CE20 | 16.00 | 13.00 | 46000 | | 1700 |
| | E(C,H,U)1P62C+TXV | 80G1UH090CE20 | 16.00 | 13.00 | 46000 | | 1700 |
| | E(C,H,U)1P62C+TXV | 80G1DF110CE20 | 16.00 | 13.00 | 46000 | | 1550 |
| | E(C,H,U)1P62C+TXV+TDR | EFV16CC | 15.50 | 12.50 | 46000 | | 1600 |
| | E(C,H,U)1P62D+TXV | 95G2UH135DV20 | 15.10 | 12.50 | 46000 | | 1600 |
| | E(C,H,U)1P62D+TXV | 95G2UH135DE20 | 15.10 | 12.50 | 46000 | | 1600 |
| | E(C,H,U)1P62D+TXV | 80G1UH135DE20 | 15.10 | 12.50 | 46000 | | 1600 |
| | E(C,H,U)1P62D+TXV | 95G1UH135DE20 | 15.10 | 12.50 | 46000 | | 1600 |
| 4AC14*48P-6,-7 | BC*3M48C****P | | 14.00 | 12.00 | 46500 | 39500 | 1600 |
| | BC*3M48E****X | | 15.10 | 12.50 | 46500 | | 1600 |
| | BCS2M48V****P | | 15.10 | 12.50 | 46500 | | 1600 |
| | BCS2M60V****P | | 15.00 | 12.50 | 47000 | | 1600 |
| | E*1P49C | | 14.00 | 12.00 | 46500 | | 1600 |
| | E*1P49C | 80G2UH110CV20 | 14.50 | 12.00 | 46500 | | 1600 |
| | E*1P49C | 95G2DF090CE20 | 14.50 | 11.50 | 46000 | | 1600 |
| | E*1P49C | 95G2UH090CE16 | 14.50 | 11.50 | 46000 | | 1600 |
| | E*1P60D | 80G1UH135DE20 | 14.50 | 12.00 | 46000 | | 1600 |
| | E*1P60D | 95G2UH135DV20 | 14.50 | 12.00 | 46000 | | 1600 |
| | E*1P62C | 80G2UH110CV20 | 14.50 | 12.00 | 46500 | | 1600 |
| | E*1P62C | 95G2DF090CE20 | 14.50 | 11.50 | 46500 | | 1600 |
| | E*1P62C | 95G2UH090CE16 | 14.50 | 11.50 | 46500 | | 1600 |
| | E*1P62D | 95G2UH135DV20 | 14.50 | 12.00 | 46500 | | 1600 |
| E*1P62D | 80G1UH135DE20 | 14.50 | 12.00 | 46500 | 1600 | | |
| 4AC14L59P-6,-7 | BC*3M48C****P | | 14.00 | 12.50 | 57000 | 41500 | 1800 |
| | BC*3M60C****P | | 14.00 | 12.00 | 56500 | | 1800 |
| | BC*3M60E****X | | 14.50 | 12.00 | 56500 | | 1800 |
| | BCS2M48V****P | | 15.00 | 12.50 | 58000 | | 1760 |
| | BCS2M60V****P | | 14.00 | 12.00 | 57000 | | 1800 |
| | E*1P62C | 95G1UH110CE20 | 14.50 | 12.50 | 58000 | | 1770 |
| | E*1P62C | 80G1UH090CE20 | 15.10 | 12.50 | 58000 | | 1790 |
| | E*1P62C | 80G1UH110CE20 | 14.50 | 12.50 | 58000 | | 1800 |
| | E*1P62C | 80G1DF110CE20 | 15.10 | 12.50 | 58000 | | 1870 |
| | E*1P62D | 95G2UH135DV20 | 14.50 | 12.50 | 58000 | | 1800 |
| | E*1P62D | 80G1UH135DE20 | 15.10 | 12.50 | 58000 | | 1800 |

Note:

1 Certified in accordance with Unitary Air Conditioner Certification Program, which is based on AHRI Standard 210/240

2 Required to achieve AHRI rating. If NA (Not Applicable) is in the piston column, then TXV is required

3 A blower time delay relay is required to achieve AHRI rating. This feature is standard on all Allied Air Enterprises furnace and AH products.

COOLING PERFORMANCE WITH AIR HANDLERS AND FURNACES

| Outdoor Model | Indoor Model | Variable Speed Furnace | SEER | EER | AHRI Rated Capacity ¹ BTUH | Sensible Capacity BTUH | CFM |
|-----------------------|-------------------------|------------------------|-------|-------|---------------------------------------|------------------------|------|
| | Evap. Coil ³ | | | | | | |
| 4AC14*60P-6,-7 | BC*3M60C****P | | 14.00 | 12.00 | 58000 | 42000 | 1800 |
| | BCS2M60V****P | | 14.00 | 12.00 | 58000 | | 1800 |

Note:

1 Certified in accordance with Unitary Air Conditioner Certification Program, which is based on AHRI Standard 210/240

2 Required to achieve AHRI rating. If NA (Not Applicable) is in the piston column, then TXV is required

3 A blower time delay relay is required to achieve AHRI rating. This feature is standard on all Allied Air Enterprises furnace and AH products.

COOLING PERFORMANCE WITH EXTENDED RATINGS

| Outdoor Model | Indoor Model | Indoor Temp DB/ WB °F | Outdoor Temperature - DB °F | | | | | | | | | | | | | | |
|-----------------|--------------|-----------------------|-----------------------------|------|------|--------|------|-------|--------|------|------|--------|------|------|--------|------|------|
| | | | 65° | | | 82° | | | 95° | | | 105° | | | 115° | | |
| | | | Btuh | S/T | kW | Btuh | S/T | kW | Btuh | S/T | kW | Btuh | S/T | kW | Btuh | S/T | kW |
| 4AC14*18P-6, 7 | E*1P23 | 85/72 | 24,600 | 0.61 | 1.24 | 23,500 | 0.63 | 1.47 | 22,600 | 0.64 | 1.65 | 20,800 | 0.68 | 1.85 | 19,000 | 0.71 | 2.04 |
| | | 80/67 | 22,700 | 0.68 | 1.23 | 21,300 | 0.71 | 1.47 | 20,300 | 0.73 | 1.65 | 18,800 | 0.76 | 1.62 | 17,400 | 0.78 | 2.03 |
| 4AC14*R18P-6, 7 | | 75/63 | 21,100 | 0.71 | 1.22 | 19,500 | 0.74 | 1.44 | 18,300 | 0.76 | 1.62 | 16,800 | 0.80 | 1.82 | 15,200 | 0.84 | 2.02 |
| | | 75/57 | 18,721 | 1.00 | 1.20 | 17,800 | 1.00 | 1.44 | 17,000 | 1.00 | 1.62 | 15,700 | 1.00 | 1.82 | 14,400 | 1.00 | 2.02 |
| 4AC14*24P-6, 7 | E*1P29 | 85/72 | 27,700 | 0.62 | 1.52 | 27,400 | 0.63 | 1.80 | 27,200 | 0.64 | 2.02 | 25,700 | 0.67 | 2.26 | 24,200 | 0.70 | 2.50 |
| | | 80/67 | 26,300 | 0.69 | 1.51 | 25,600 | 0.71 | 1.79 | 25,000 | 0.73 | 2.00 | 23,300 | 0.77 | 1.62 | 20,700 | 0.80 | 2.49 |
| 4AC14*R24P-6, 7 | | 75/63 | 25,500 | 0.71 | 1.50 | 23,900 | 0.74 | 1.78 | 22,600 | 0.77 | 1.99 | 21,000 | 0.80 | 2.24 | 19,500 | 0.83 | 2.48 |
| | | 75/57 | 23,000 | 1.00 | 1.49 | 21,600 | 1.00 | 1.77 | 20,600 | 1.00 | 1.99 | 19,200 | 1.00 | 2.24 | 17,700 | 1.00 | 2.49 |
| 4AC14*30P-6, 7 | E*1P29 | 85/72 | 32,000 | 0.59 | 1.52 | 30,900 | 0.63 | 2.02 | 30,000 | 0.66 | 2.41 | 28,400 | 0.70 | 2.67 | 26,800 | 0.74 | 2.94 |
| | | 80/67 | 30,600 | 0.66 | 1.80 | 30,200 | 0.69 | 2.17 | 29,900 | 0.72 | 2.45 | 26,900 | 0.78 | 2.68 | 24,000 | 0.84 | 2.91 |
| 4AC14*R30P-6, 7 | | 75/63 | 29,000 | 0.73 | 1.79 | 27,100 | 0.77 | 2.12 | 25,700 | 0.80 | 2.37 | 23,600 | 0.84 | 2.63 | 21,400 | 0.88 | 2.89 |
| | | 75/57 | 26,500 | 1.00 | 1.79 | 24,900 | 1.00 | 2.13 | 23,700 | 1.00 | 2.38 | 22,000 | 1.00 | 2.64 | 20,200 | 1.00 | 2.89 |
| 4AC14*36P-6, 7 | E*1P36B | 85/72 | 41,200 | 0.62 | 2.18 | 39,000 | 0.64 | 2.56 | 37,300 | 0.66 | 2.86 | 35,300 | 0.69 | 3.20 | 33,200 | 0.71 | 3.54 |
| | | 80/67 | 38,400 | 0.69 | 2.16 | 35,900 | 0.73 | 2.56 | 34,000 | 0.76 | 2.86 | 32,200 | 0.78 | 1.62 | 30,500 | 0.80 | 3.55 |
| 4AC14*R36P-6, 7 | | 75/63 | 36,000 | 0.71 | 2.15 | 33,700 | 0.74 | 2.55 | 32,000 | 0.77 | 2.85 | 30,100 | 0.80 | 3.19 | 28,400 | 0.82 | 3.53 |
| | | 75/57 | 30,600 | 1.00 | 2.14 | 29,500 | 1.00 | 2.54 | 28,700 | 1.00 | 2.85 | 27,500 | 1.00 | 3.18 | 26,100 | 1.00 | 3.51 |
| 4AC14L41P-6, 7 | E*1P49C | 85/72 | 46,000 | 0.75 | 1.71 | 43,733 | 0.77 | 2.02 | 42,000 | 0.79 | 2.26 | 39,700 | 0.82 | 2.59 | 37,400 | 0.84 | 2.91 |
| | | 80/67 | 45,000 | 0.76 | 1.70 | 42,167 | 0.79 | 2.01 | 40,000 | 0.81 | 2.25 | 37,800 | 0.84 | 2.58 | 35,600 | 0.87 | 2.90 |
| | | 75/63 | 42,500 | 0.77 | 1.69 | 40,233 | 0.80 | 2.00 | 38,500 | 0.83 | 2.24 | 36,650 | 0.86 | 2.57 | 34,800 | 0.89 | 2.89 |
| | | 75/57 | 40,000 | 0.79 | 1.68 | 38,017 | 0.82 | 1.99 | 36,500 | 0.84 | 2.23 | 35,000 | 0.88 | 2.50 | 33,500 | 0.91 | 2.77 |
| 4AC14*42P-6, 7 | E*1P49C | 85/72 | 48,500 | 0.64 | 2.57 | 47,300 | 0.66 | 3.02 | 46,300 | 0.67 | 3.36 | 43,800 | 0.69 | 3.74 | 41,300 | 0.71 | 4.12 |
| | | 80/67 | 46,500 | 0.70 | 2.56 | 44,000 | 0.73 | 3.01 | 42,200 | 0.75 | 3.35 | 39,500 | 0.78 | 1.62 | 36,800 | 0.81 | 4.06 |
| 4AC14*R42P-6, 7 | | 75/63 | 43,700 | 0.74 | 2.54 | 41,000 | 0.76 | 2.97 | 39,000 | 0.78 | 3.31 | 36,000 | 0.82 | 3.65 | 32,800 | 0.85 | 4.00 |
| | | 75/57 | 39,700 | 1.00 | 2.53 | 37,700 | 1.00 | 2.95 | 36,200 | 1.00 | 3.28 | 33,900 | 1.00 | 3.94 | 31,300 | 1.00 | 4.60 |
| 4AC14L47P-6, 7 | E*1P62C | 85/72 | 54,000 | 0.81 | 2.10 | 52,583 | 0.79 | 2.56 | 51,500 | 0.77 | 2.91 | 48,750 | 0.72 | 3.33 | 46,000 | 0.66 | 3.75 |
| | | 80/67 | 53,000 | 0.82 | 2.00 | 50,733 | 0.80 | 2.51 | 49,000 | 0.79 | 2.90 | 46,500 | 0.81 | 3.33 | 44,000 | 0.83 | 3.75 |
| | | 75/63 | 50,500 | 0.83 | 1.99 | 48,233 | 0.82 | 2.50 | 46,500 | 0.81 | 2.89 | 44,250 | 0.87 | 3.30 | 42,000 | 0.92 | 3.71 |
| | | 75/57 | 47,000 | 0.85 | 1.98 | 44,733 | 0.84 | 2.49 | 43,000 | 0.83 | 2.88 | 41,500 | 0.90 | 3.29 | 40,000 | 0.97 | 3.70 |
| 4AC14*48P-6, 7 | E*1P62C | 85/72 | 56,600 | 0.63 | 2.99 | 54,107 | 0.66 | 55.36 | 52,200 | 0.68 | 3.88 | 49,050 | 0.70 | 4.29 | 45,900 | 0.72 | 4.70 |
| | | 80/67 | 53,100 | 0.70 | 2.97 | 50,607 | 0.73 | 3.47 | 48,700 | 0.75 | 3.85 | 44,500 | 0.79 | 4.26 | 40,300 | 0.83 | 4.66 |
| | | 75/63 | 50,600 | 0.72 | 2.94 | 46,633 | 0.76 | 3.44 | 43,600 | 0.79 | 3.82 | 39,500 | 0.84 | 4.24 | 35,400 | 0.88 | 4.66 |
| | | 75/57 | 46,000 | 1.00 | 2.92 | 42,373 | 1.00 | 3.43 | 39,600 | 1.00 | 3.82 | 35,950 | 1.00 | 4.24 | 32,300 | 1.00 | 4.65 |
| 4AC14L59P-6, 7 | E*1P62C | 85/72 | 61,200 | 0.63 | 3.50 | 60,633 | 0.64 | 4.24 | 60,200 | 0.65 | 4.80 | 58,350 | 0.68 | 5.39 | 56,500 | 0.70 | 5.97 |
| | | 80/67 | 59,500 | 0.69 | 3.50 | 58,933 | 0.71 | 4.21 | 58,500 | 0.72 | 4.75 | 54,600 | 0.75 | 5.34 | 50,700 | 0.78 | 5.93 |
| | | 75/63 | 57,800 | 0.72 | 3.48 | 55,760 | 0.74 | 4.18 | 54,200 | 0.76 | 4.72 | 49,850 | 0.79 | 5.33 | 45,500 | 0.82 | 5.93 |
| | | 75/57 | 53,500 | 1.00 | 3.44 | 51,120 | 1.00 | 4.15 | 49,300 | 1.00 | 4.70 | 44,700 | 0.92 | 5.31 | 40,100 | 0.83 | 5.91 |
| 4AC14*60P-6, 7 | E*1P62C | 85/72 | 66,300 | 0.64 | 4.41 | 63,600 | 0.67 | 4.89 | 61,600 | 0.70 | 5.27 | 57,900 | 0.72 | 5.46 | 54,200 | 0.73 | 5.42 |
| | | 80/67 | 62,400 | 0.66 | 4.25 | 59,900 | 0.71 | 4.69 | 58,000 | 0.74 | 5.03 | 54,600 | 0.75 | 5.24 | 51,100 | 0.75 | 5.23 |
| | | 75/63 | 57,800 | 0.70 | 4.03 | 55,500 | 0.74 | 4.50 | 53,700 | 0.77 | 4.87 | 50,600 | 0.79 | 5.06 | 47,300 | 0.81 | 5.04 |
| | | 75/57 | 56,200 | 0.78 | 4.02 | 53,900 | 0.83 | 4.45 | 52,200 | 0.86 | 4.78 | 49,100 | 0.88 | 4.96 | 46,000 | 0.90 | 4.94 |

Extended data shown is actual for models listed and typical for all AHRI matches.

ACCESSORIES

| Description | Where Used | Kit Number |
|-----------------------|------------------------------------|---------------------------|
| Crankcase Heater | All models | 93M04 |
| Hard Start Kit | 18 | 10J42 |
| | 24, 30, 36, 41, 42, 47, 48, 59, 60 | 88M91 |
| Low Ambient Kit | All models | 34M72 |
| Short Cycle Protector | All models | 47J27 |
| Freezestat | 3/8 tubing | 93G35 |
| | 5/8 tubing | 50A93 |
| Time Delay Relay | All models | 58M81 |
| Loss of Charge Kit | All models | 84M23 (factory installed) |
| Sound Blanket | 18, 24, 30, 36, 41 | 14W00 (factory installed) |
| | 42, 47, 48, 59, 60 | 14W01 (factory installed) |
| TXV Kit | 18, 24, 30, 36 | A4TXV01 |
| | 42, 48, 60 | A4TXV02 |

Kit number needs to be the catalog number.

Exception to the above - TXV's, Elect. Heaters can be referred to by the model number.



1-800-448-5872

All specifications and illustrations subject to change without notice and without incurring obligations.